

# REFERENCE PARTS LISTING

Replacement parts may be ordered through your plumber or the local distributor. When ordering replacement parts, always have the following information ready:

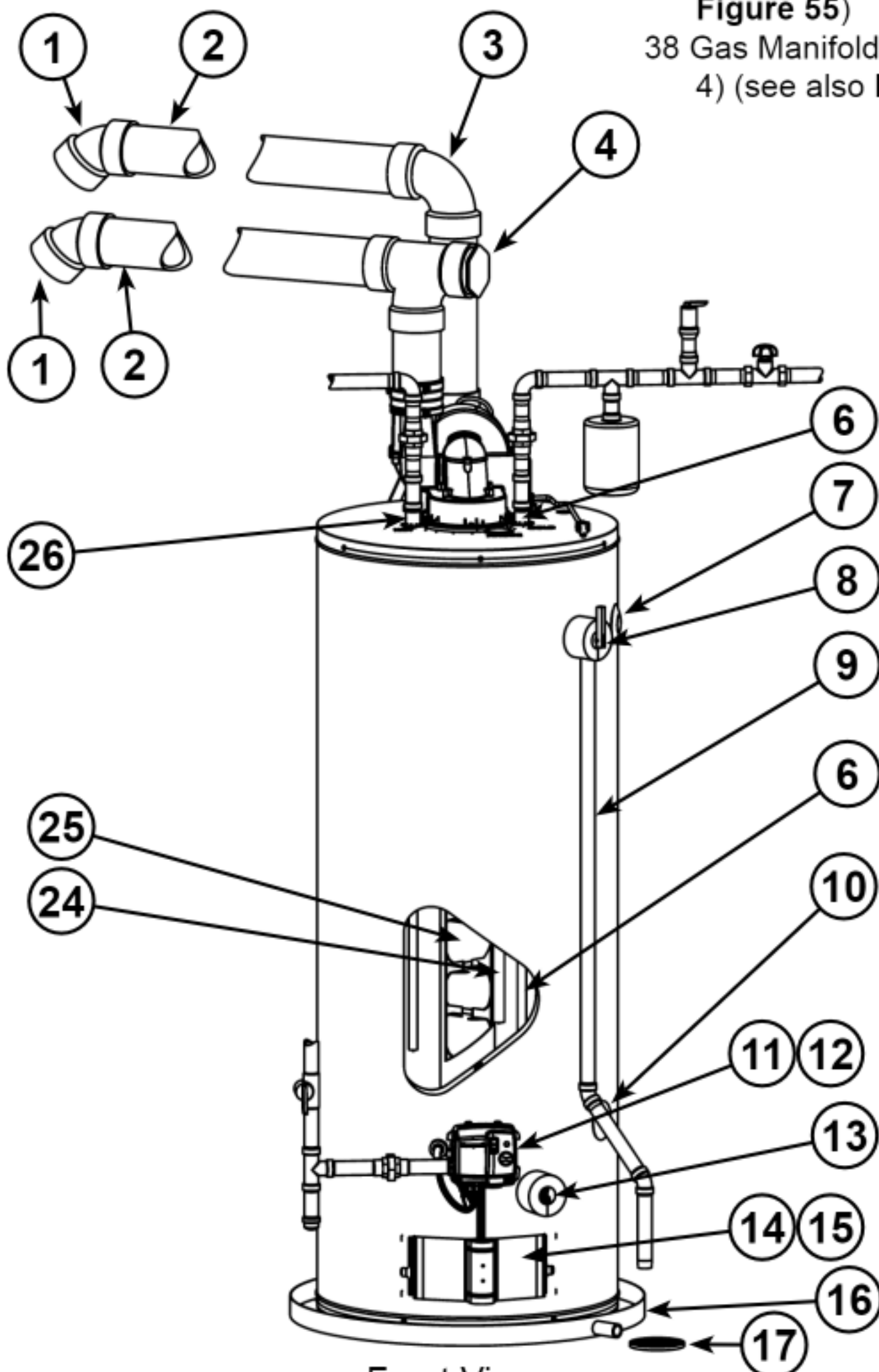
1. Model, Serial and Product number
2. Type of gas
3. Item number
4. Parts description

- 
- 1 Termination Elbow with Vent Screen
  - 2 \*Vent Pipe
  - 3 \*Vent Pipe Elbow (long radius)
  - 4 Sound Suppressor (Optional)
  - 6 Cold-Water Inlet Nipple/Diptube
  - 7 \*\*Combo Heating System Supply Outlet (Optional)
  - 8 T&P Valve
  - 9 \* Discharge Pipe
  - 10 \*\*Combo Heating System Return Inlet (Optional)
  - 11 Gas Control Valve/Thermostat (Honeywell)
  - 12 Gas Valve Electronic Control Module And Cover (Honeywell)
  - 13 Drain Valve

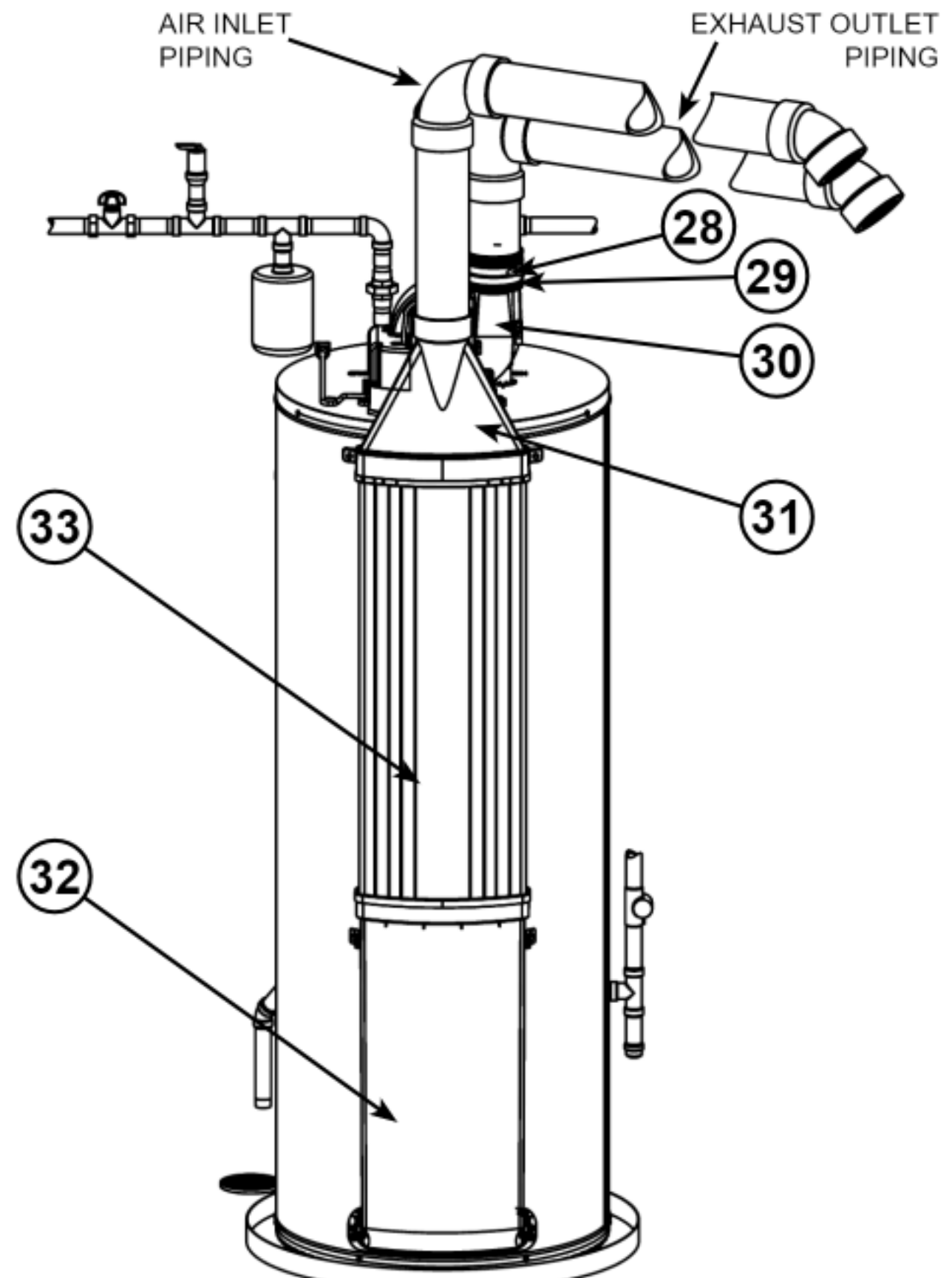
- 14 Outer Gas Door
- 15 Manifold Door Assembly (behind outer door) (see Figure 3 & Figure 4) (see also **Figure 54 & Figure 55**)
- 16 \*Metal Drain Pan
- 17 \*Floor Drain
- 24 Anode (under cap)
- 25 Baffle Assembly
- 26 Hot-Water Outlet Nipple/Anode
- 28 \*\*\*\*Rubber Coupling (see Figure 5) (see also **Figure 56**)
- 29 Gear Clamp (see Figure 5) (see also **Figure 56**)
- 30 \*\*\*Blower with Power Cord (see Figure 5) (see also **Figure 56**)
- 31 Air Duct Adapter
- 32 Air Inlet Snorkel
- 33 Air Duct
- 35 Flame Sensor Rod (see Figure 3 & Figure 4) (see also **Figure 54 & Figure 55**)
- 36 Sheet Metal Burner (see Figure 3 & Figure 4) (see also **Figure 54 & Figure 55**)
- 37 Gas Orifice (see Figure 3 & Figure 4) (see also **Figure 54 & Figure 55**)
- 38 Gas Manifold (see Figure 3 & Figure 4) (see also **Figure 54 & Figure 55**)

- 39 Hot-Surface Igniter (see Figure 3 & Figure 4) (see also **Figure 54 & Figure 55**)
- 40 Manifold Door Gasket (see Figure 3 & Figure 4) (see also **Figure 54 & Figure 55**)
- 41 Manifold Door (see Figure 3 & Figure 4) (see also **Figure 54 & Figure 55**)
- 42 Two Piece Grommet With Clip (see Figure 3 & Figure 4) (see also **Figure 54 & Figure 55**)
- 43 Viewport (see Figure 3 & Figure 4) (see also **Figure 54 & Figure 55**)
- 44 Air Tubing (Intake) (see Figure 5) (see also **Figure 56**)
- 45 Blower High Limit Switch (see Figure 5) (see Figure 56)
- 46 Intake Air Pressure Switch (NC) (inside box) (see Figure 5) (see also **Figure 56**)
- 47 Capacitor (see Figure 5) (see also **Figure 56**)
- 48 Air Tubing (Exhaust) (see Figure 5) (see also **Figure 56**)
- 49 Exhaust Air Pressure Switch (NO) (inside box) (see Figure 5) (see also **Figure 56**)

\*, \*\*, \*\*\*, \*\*\*\* see notes on following page



Front View  
Figure 52.



Rear View  
Figure 53.

Natural gas and Propane (LP) main burner with igniter assembly for 40k and 45k Btu/hr models (item 15 in Figure 1).

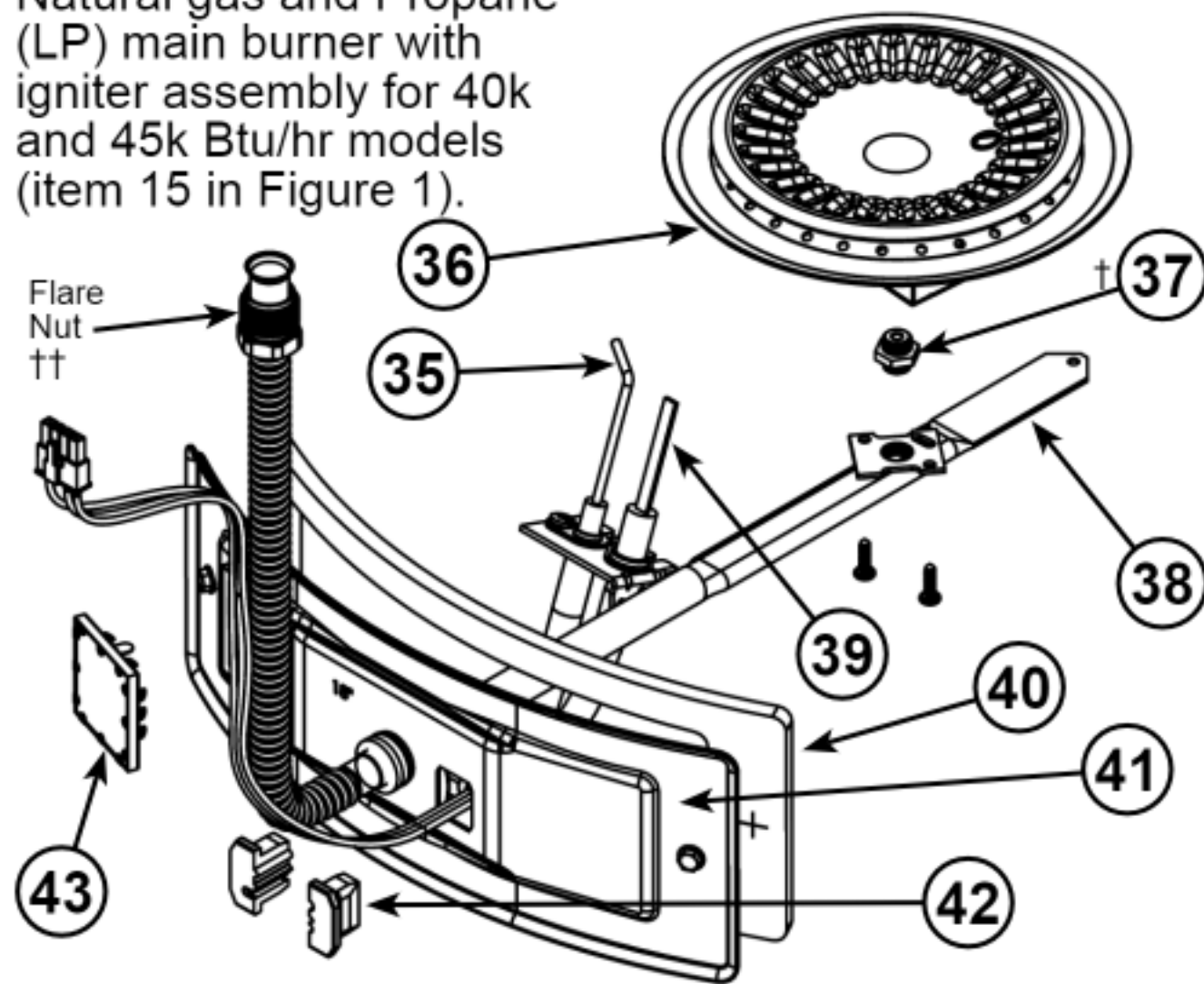


Figure 54.

Natural gas and Propane (LP) main burner with igniter assembly for 58k, 62k, 72k & 76k Btu/hr models (item 15 in Figure 1).

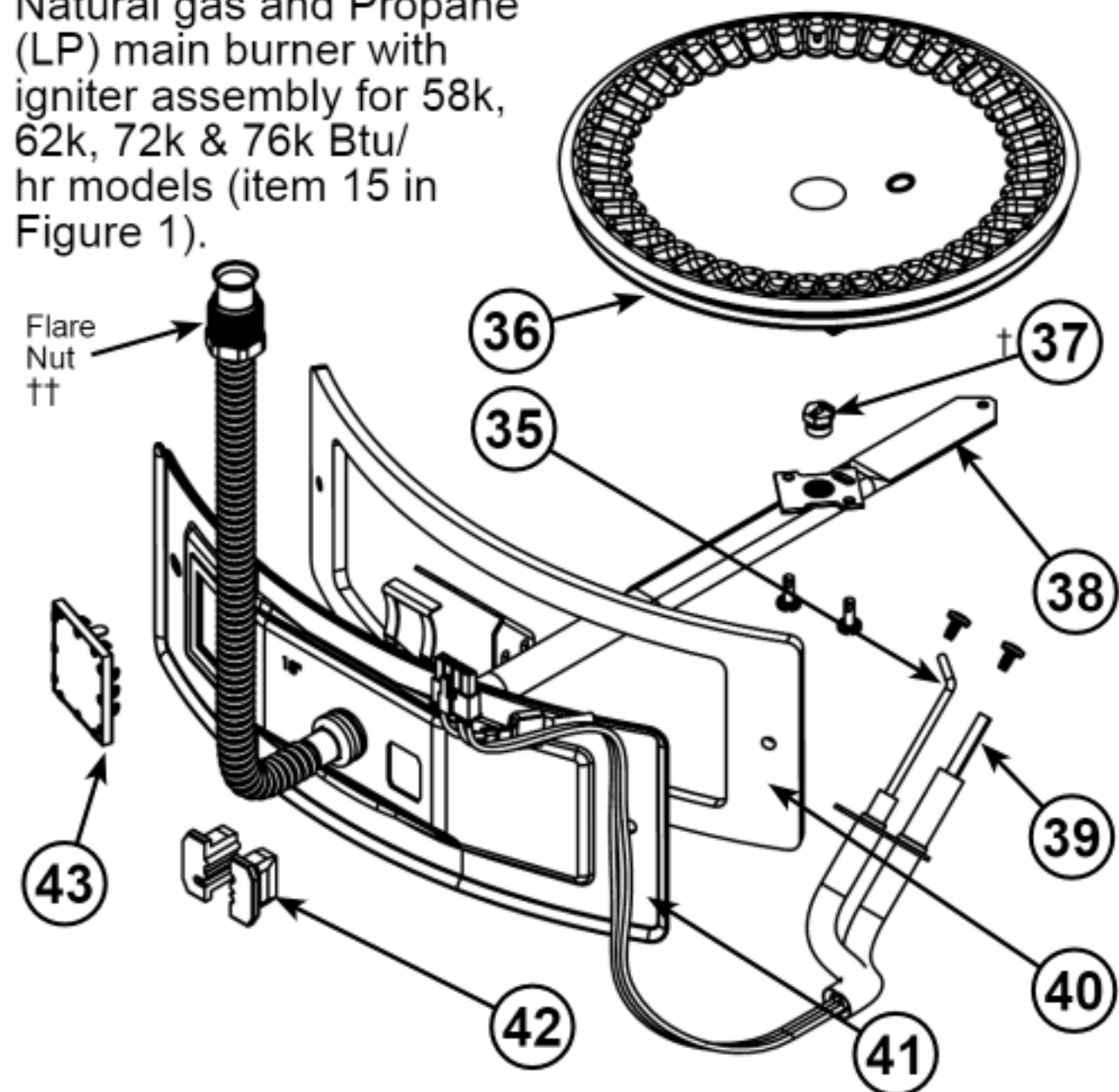


Figure 55.

Shown with Junction Box Cover removed for clarity.

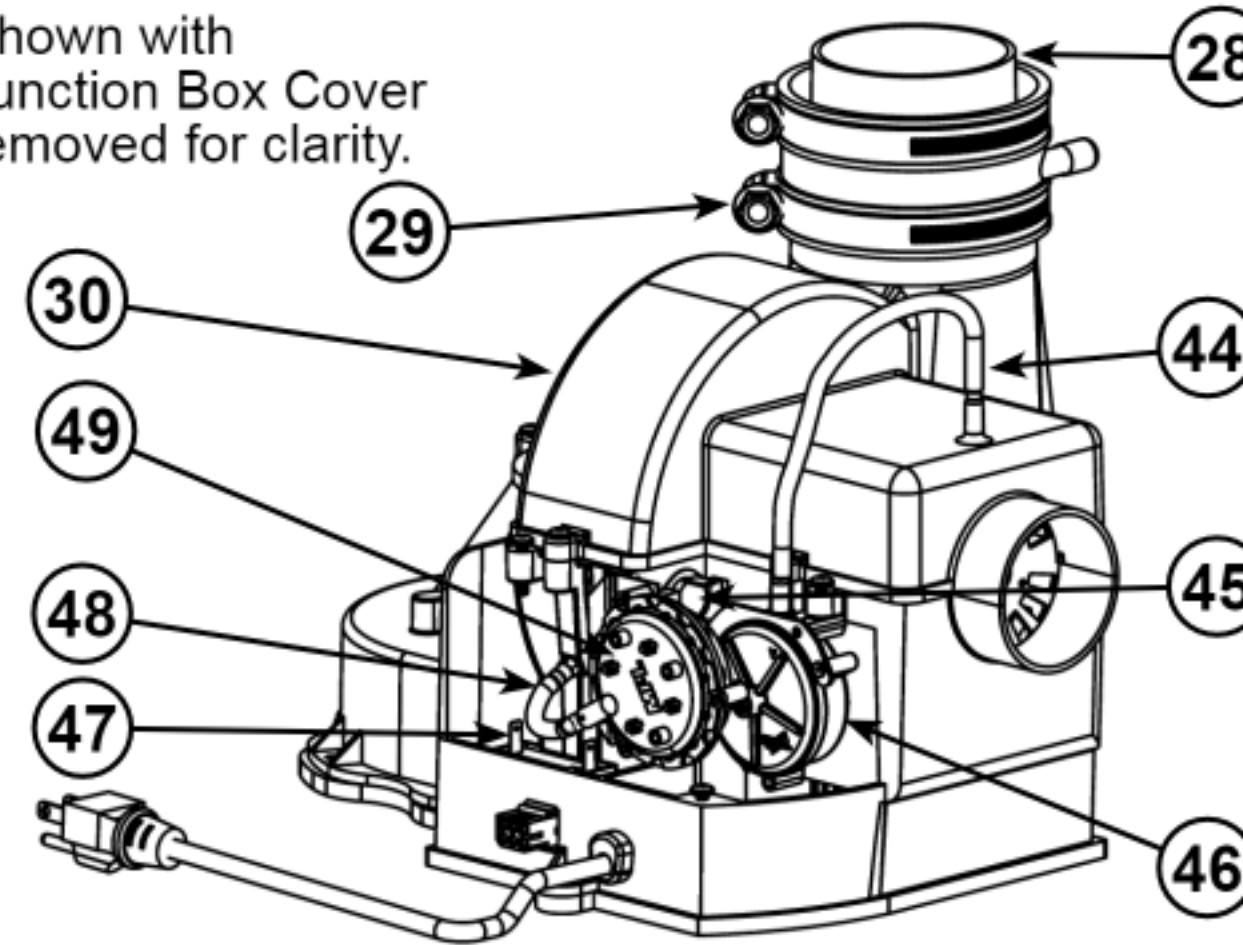


Figure 56.

**Notes:**

- \* Items not supplied with the water heater.
- \*\* The side recirculation loop connections may not be used as the primary water inlet and outlet connections. See "Combo Heating Inlet And Outlet Side Taps".
- \*\*\* Caution harness has 120 VAC In operation.
- \*\*\*\* See "Vent Pipe Installation" for more information.

- † The orifice on Natural gas models has Right-hand thread, the orifice on Propane (LP) models has Left-hand thread.
- †† For Natural gas models the Flare Nut has Right-hand thread. For Propane (LP) models the Flare Nut has Left-hand thread.