



BRADFORD WHITE[®]
W A T E R H E A T E R S

REPLACEMENT PARTS LIST

**Residential & Light Duty
Commercial Gas Power Direct Vent Models**



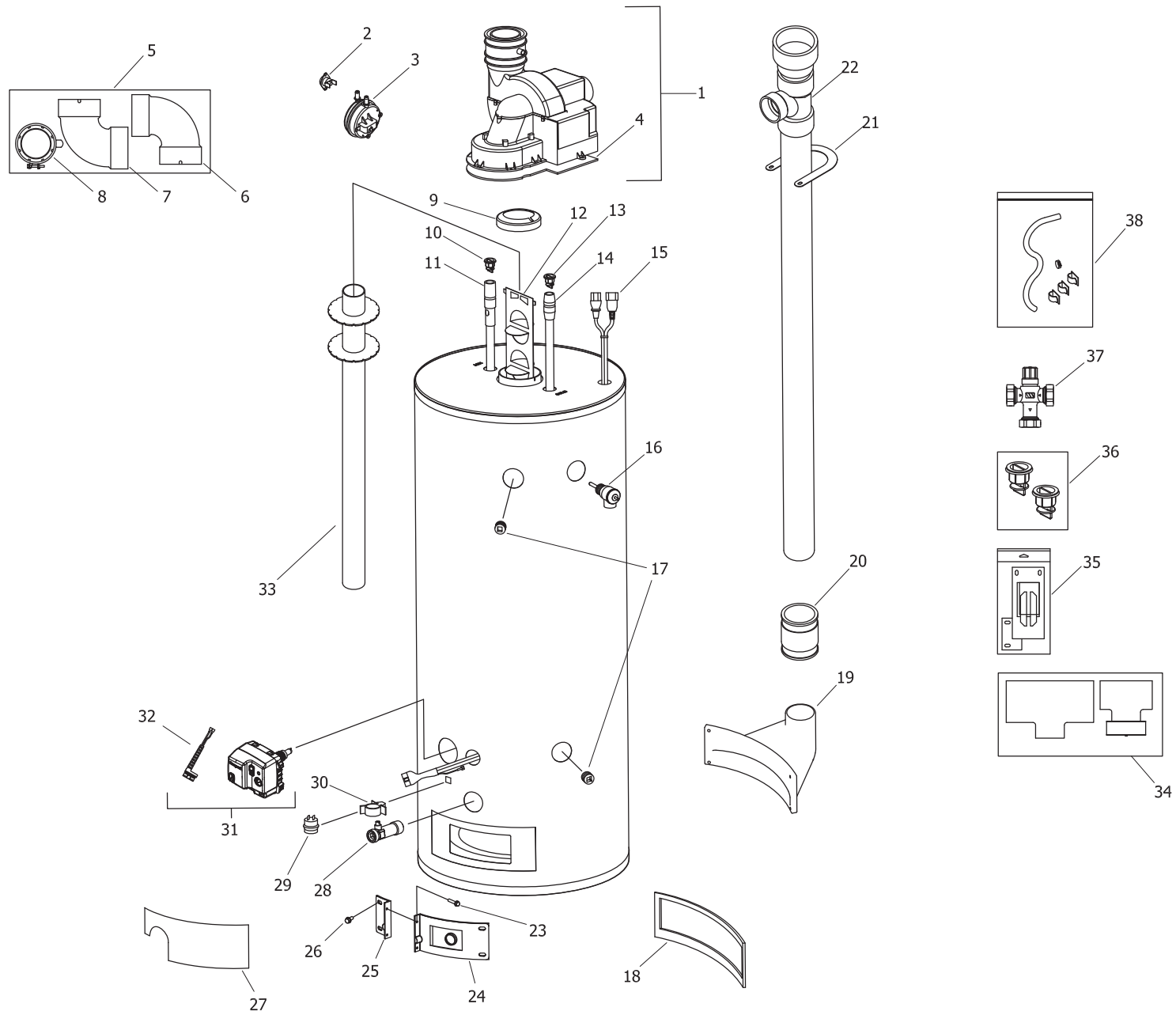
DEFENDER
SAFETY SYSTEM[®]

Includes Hydrojet[®]
Total Performance System

***Effective: May, 2015
ECO 7950***

**NOTE: BOTH MODEL AND SERIAL
NUMBERS ARE REQUIRED FOR
ORDERING REPLACEMENT PARTS**

Dimensions and specifications
subject to change without notice.



Item	Description	Model RG2PDV40S*	Model RG2PDV50S*	Model RG2PDV50H*	Model LG2PDV50H*	Model RG2PDV75H*	Model LG2PDV75H*
1	Blower Assembly (Normal Alt.) 0 Ft. to 2,000 Ft.	265-47386-00	265-47386-00	265-47387-00	265-47387-00	265-47387-00	265-47387-00
	Blower Assembly (-475 model suffixes) 0 ft. to 7,000 Ft.	239-48527-00	239-48527-00	239-48528-00	239-48528-00	239-48528-00	239-48528-00
2	Blower Temperature Switch	239-48752-00	239-48752-00	239-48752-00	239-48752-00	239-48752-00	239-48752-00
3	Pressure Switch Exhaust (Normal Alt.) 0 Ft. to 2,000 Ft.	239-48058-01	239-48058-01	239-48058-01	239-48058-01	239-48058-01	239-48058-01
	Pressure Switch Exhaust (-475 model suffixes) 0 Ft. to 7,000 Ft.	239-48058-02	239-48058-02	239-48058-02	239-48058-02	239-48058-02	239-48058-02
4	Blower Gasket	239-45866-00	239-45866-00	239-45866-00	239-45866-00	239-45866-00	239-45866-00
5	Vent Adapter with Vent Terminal	239-47992-00	239-47992-00	239-48781-00	239-48781-00	239-48781-00	239-48781-00
6	Intake Vent Terminal Elbow	239-39831-00	239-39831-00	239-40579-00	239-40579-00	239-40579-00	239-40579-00
7	Exhaust Vent Terminal Elbow	239-39831-00	239-39831-00	239-40579-00	239-40579-00	239-40579-00	239-40579-00
8	Exhaust Adapter	239-45709-00	239-45709-00	239-45639-00	239-45639-00	239-45639-00	239-45639-00
9	Flue Reducer	---	---	243-42572-00	243-42572-00	---	---
10	Heat Trap Insert (Outlet)	239-45167-00	239-45167-00	239-45167-00	239-45167-00	239-45167-00	239-45167-00
11	Hot Water Outlet Anode (Magnesium)▲#	224-47776-19	224-47776-19	224-47776-19	224-47776-19	224-47776-19	224-47776-19
	Hot Water Outlet Anode (Aluminum)▲#	224-32999-42	224-32999-42	224-32999-42	224-32999-42	224-32999-42	224-32999-42
	Hot Water Outlet Anode (A420 Aluminum)▲#	224-49560-08	224-49560-08	224-49560-08	224-49560-08	224-49560-10	224-49560-10
12	Flue Baffle	239-45372-00	239-45372-00	239-45373-00	239-45373-00	---	---
13	Heat Trap Insert (Inlet)	239-51556-00	239-51556-00	239-51556-00	239-51556-00	239-45167-00	239-45167-00
14	Cold Water Inlet Diptube (Polysulfone) ▲▲	---	---	---	---	229-45092-09	229-45092-09
	Cold Water Inlet Diptube (PEX) ▲▲	229-51230-20	229-51230-20	229-51230-26	229-51230-29	---	---
15	Blower Harness	239-45617-03	239-45617-03	239-45617-02	239-45617-02	239-45617-02	239-45617-02
16	T&P Relief Valve	230-40594-02	230-40594-02	230-40594-02	230-40594-02	230-40594-02	230-40594-02
17	3/4 NPT Plug	---	---	239-11638-00	239-11638-00	239-11638-00	239-11638-00
18	Air Intake Boot Gasket	239-47832-00	239-47832-00	239-47832-00	239-47832-00	239-47832-00	239-47832-00
19	Air Intake Boot	239-47514-18	239-47514-20	239-47514-18	239-47514-18	239-47514-22	239-47514-22
20	Coupling-2 X 2	239-47850-00	239-47850-00	239-47850-00	239-47850-00	239-47850-00	239-47850-00
21	Bracket-Vertical intake	239-47671-02	239-47671-02	239-47671-01	239-47671-01	239-47671-01	239-47671-01
22	Tee and vent pipe Assembly	239-51391-02	239-51391-02	239-47622-01	239-47622-01	239-51391-03	239-51391-03
23	Screw-#8-18 x 3/4 HWH	239-44195-00	239-44195-00	239-44195-00	239-44195-00	239-44195-00	239-44195-00
24	Right Side Inner Door	239-45642-18	239-45642-20	239-45642-18	239-45642-18	239-47504-22	239-47504-22
25	Left Side Inner Door	239-43968-18	239-43968-20	239-43968-18	239-43968-18	239-43968-20	239-43968-20
26	Screw-#10-12 x 3/4 HWH	239-44113-00	239-44113-00	239-44113-00	239-44113-00	239-44113-00	239-44113-00
27	Outer Door	243-43962-00	243-43962-00	243-43962-00	243-43962-00	243-43962-00	243-43962-00
28	Brass Drain Valve	265-42351-02	265-42351-02	265-42351-02	265-42351-02	265-42351-02	265-42351-02
29	Flammable Vapor Sensor	239-45560-00	239-45560-00	239-45560-00	239-45560-00	239-45560-00	239-45560-00
30	Flammable Vapor Sensor Clip	239-45648-00	239-45648-00	239-45648-00	239-45648-00	239-45648-00	239-45648-00
31	Gas Valve (Natural Gas)	239-48795-02	239-48795-02	265-48795-02	265-48795-04	265-48795-02	239-48795-04
	Gas Valve (LP Gas)	239-48796-02	239-48796-02	239-48796-02	239-48796-04	239-48796-02	239-48795-04
32	Flammable Vapor Sensor Harness	239-49791-00	239-49791-00	239-49791-00	239-49791-00	239-49791-00	239-49791-00
33	Flue Core	---	---	---	---	239-47658-00	239-47658-00
34	Air Inlet Relief Device	239-48391-00	239-48391-00	239-48392-00	239-48392-00	239-48392-00	239-48392-00
35	Inner Door Gasket Kit	239-44078-00	239-44078-00	239-44078-00	239-44078-00	239-47792-00	239-47792-00
36	Heat Trap Insert Kit	265-51572-00	265-51572-00	265-51572-00	265-51572-00	265-45420-00	265-45420-00
37	ASSE Approved Mixing Valve (Optional)	239-43740-01	239-43740-01	239-43740-01	239-43740-01	239-43740-01	239-43740-01
38	Condensate Hose Kit (Optional)	239-45875-00	239-45875-00	239-45875-00	239-45875-00	239-45875-00	239-45875-00

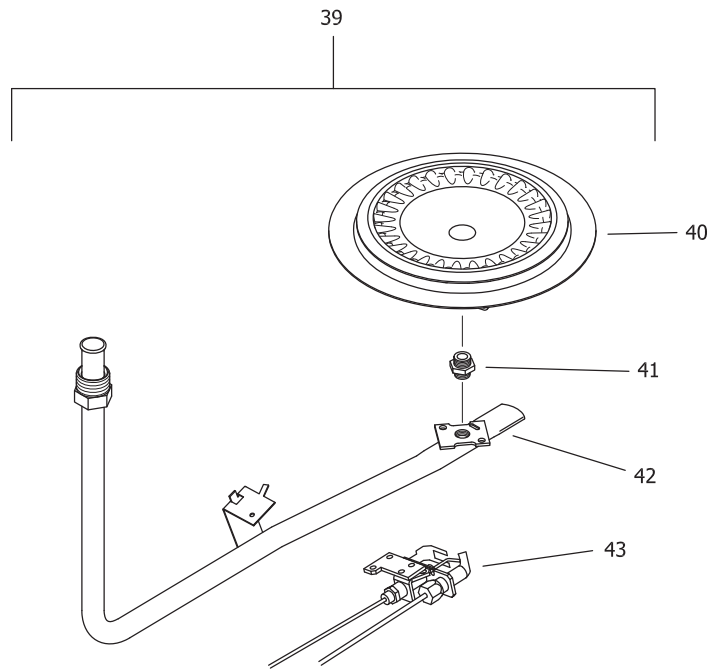
*Applies to all warranties

Please order the specific component required for the quickest delivery.

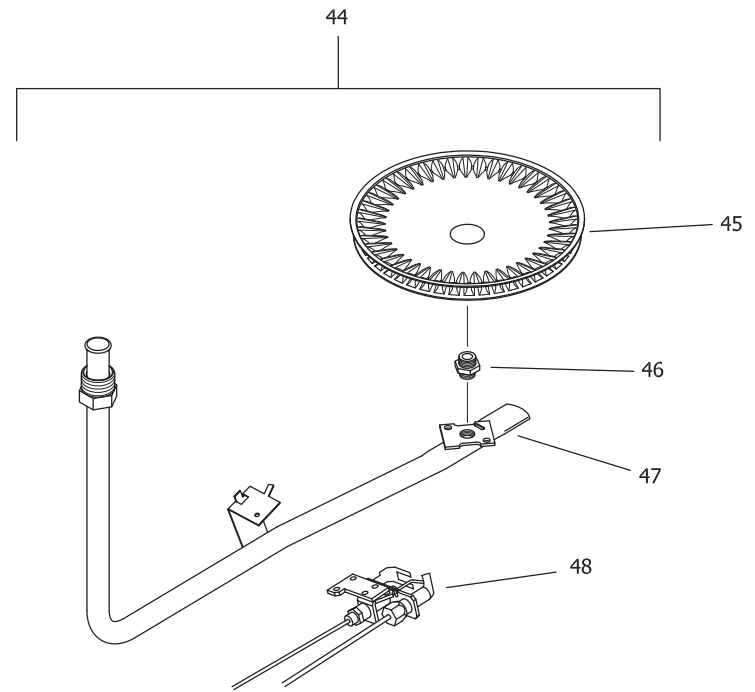
▲ Order with item 10

Anode may need to be cut to length

▲▲ Order with item 13



NATURAL GAS BURNER ASSEMBLY



LP GAS BURNER ASSEMBLY

Item Description	Model RG2PDV40S*	Model RG2PDV50S*	Model RG2PDV50H*	Model LG2PDV50H*	Model RG2PDV75H*	Model LG2PDV75H*
<u>NAT Gas Burner Assembly</u>						
39 Nat. Gas Burner Assembly Complete***	265-47785-02-32	265-47785-03-32	265-47784-02-28	265-47784-02-28	265-51383-01-20	265-51383-01-20
40 Nat. Gas Burner**	228-47000-00	228-47000-00	228-42506-00	228-42506-00	228-42506-00	228-42506-00
41 Nat. Gas Main Burner Orifice 0 Ft. to 2,000 Ft.**	234-41034-32	234-41034-32	234-41034-28	234-41034-28	234-41034-20	234-41034-20
Nat. Gas High Altitude Orifice 0 Ft. to 7000 Ft. (-475 model suffixes) **	234-41034-36	234-41034-36	234-41034-30	234-41034-30	234-41034-26	234-41034-26
Nat. Gas High Altitude Orifice Kit 0 Ft. to 10,000 Ft.	265-51380-06-40	265-51380-06-40	265-51380-06-31	265-51380-06-31	265-51380-02-29	265-51380-02-29
42 Nat. Gas Feedline	233-47374-02	233-47374-03	243-47784-02	233-47374-02	233-47374-04	233-47374-04
43 Nat. Gas Pilot Assembly**	233-45653-05	233-45653-05	233-45653-05	233-45653-05	233-45653-05	233-45653-05
<u>LP Gas Burner Assembly</u>						
44 LP Gas Burner Assembly Complete***	265-47917-02-49	265-47917-03-49	265-47376-01-44	265-47376-01-44	265-47376-03-39	265-47376-03-39
45 LP Gas Burner**	228-46964-00	228-46964-00	228-47000-00	228-47000-00	228-47000-00	228-42506-00
46 LP Gas Main Burner Orifice 0 Ft. to 2,000 Ft.**	234-47064-49	234-47064-49	234-47064-44	234-47064-44	234-47064-39	234-47064-39
LP Gas High Altitude Orifice 0 Ft. to 7,000 Ft. (-475 model suffixes) **	234-47064-51	234-47064-51	234-47065-47	234-47064-47	234-47064-43	234-47064-43
LP Gas High Altitude Orifice Kit Over 7,001 Ft. to 10,000 Ft.	265-51433-05-52	265-51433-05-52	265-51433-05-49	265-51433-05-49	265-51433-01-44	265-51433-01-44
47 LP Gas Feedline	233-47672-02	233-47672-03	233-47672-02	233-47672-02	233-47672-04	233-47672-04
48 LP Gas Pilot Assembly**	233-45653-04	233-45653-04	233-45653-04	233-45653-04	233-45653-04	233-45653-04
LP to Natural Gas Conversion Kit Norm Alt. 0 Ft. to 2,000 Ft.	265-46493-94	265-46493-95	265-46493-49	265-46493-112	265-46493-113	265-46493-115
LP to Natural Gas Conversion Kit (High Alt.) 0 Ft. to 7,000 Ft.	265-46493-110	265-46493-111	265-46493-57	265-46493-60	265-46493-114	265-46493-116

*Applies to all warranties

**Inner door gasket kit (item# 35) recommended

***Ordering a complete burner assembly may increase delivery time.

Please order the specific component required for the quickest delivery.



BRADFORD WHITE®

W A T E R H E A T E R S

Ambler, PA

For U.S. and Canada field service,
contact your professional installer or
local Bradford White sales representative.

Sales/800-523-2931
Fax/215-641-1670
Parts Fax/215-641-2180

Technical Support/800-334-3393
Fax/269-795-1089

Warranty/800-531-2111
Fax/269-795-1089

International:
Telephone/215-641-9400
Telefax/215-641-9750



BRADFORD WHITE-CANADA® INC.

Mississauga, ON

Sales/866-690-0961
905-238-0100

Fax/905-238-0105

Technical Support/800-334-3393

Email

parts@bradfordwhite.com
techserv@bradfordwhite.com

www.bradfordwhite.com