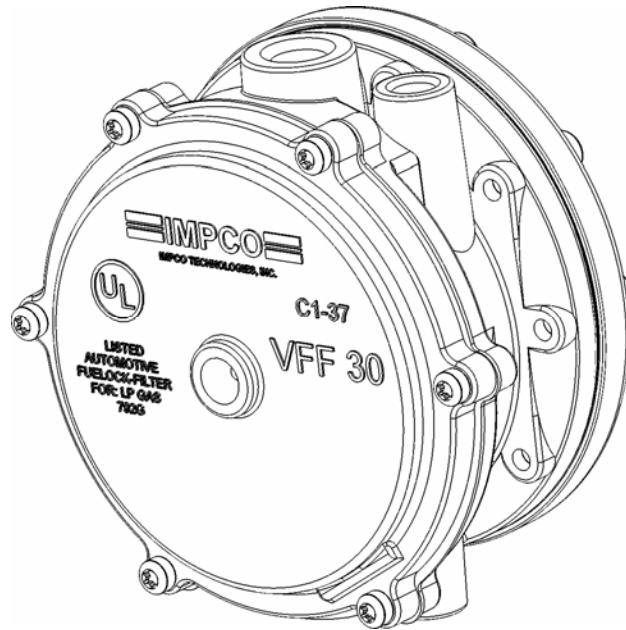


MODEL VFF30 VACUUM FUEL LOCK/FILTER

FUEL SHUT-OFFS/LOCKOFFS



MODEL VFF30 VACUUM FUEL LOCK/FILTER



DESCRIPTION

The Model VFF30 is a combination fuel lockoff and filter, engineered for use with LPG (liquid or vapor) or Natural Gas Vapor. It is available with hydrin, silicone and fluorosilicone diaphragms. A pressure of 0.5" w.c (0.12kPa) is required to open the lockoff. The VFF30 is suitable for engines up to 325 hp (242 kW) at a maximum working pressure of 312 psi (21.51 Bar). The extra large capacity filter element is fully serviceable.

SPECIFICATIONS

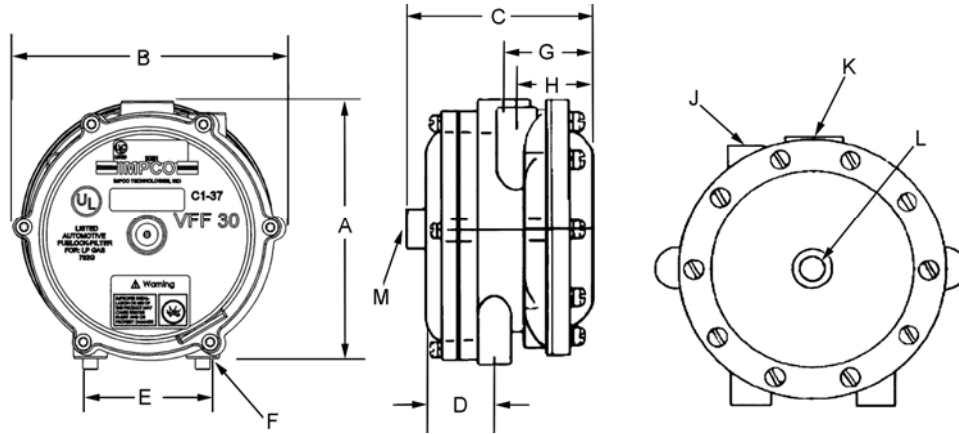
Fuel Type	LPG Liquid/Vapor, Natural Gas Vapor
Inlet Pressure (maximum)	312 psi (21.51 Bar)
Flow Rate	26.7 CFM (12.6 L/s)
Operating Temperature Range.....	-40°F to +250°F (-40°C to +121°C)
Filtration Requirement	40 Micron
Vacuum Activation	
Minimum Opening	0.50" w.c. (0.12kPa)
Fully Opened	11.5" w.c. (2.86 kPa)
Minimum Operating Opening...	2.0" w.c.(0.50 kPa)
Mounting Position	Vertical (as shown above)
Certification	UL (AU1502) Inquire for specific ECE approval



MODEL VFF30 VACUUM FUEL LOCK/FILTER

FUEL SHUT-OFFS/LOCKOFFS

DIMENSIONS



MODEL	DIAPHRAGM TYPE	OVERALL HEIGHT	OVERALL WIDTH	OVERALL DEPTH	FRONT OF FUEL LOCK TO		BACK OF FUEL LOCK TO	
					CTR. OF MOUNTING HOLE	MOUNTING HOLES CTR. TO CTR.	CTR. OF FUEL OUTLET	CTR. OF FUEL
VFF30	HYDRIN	109 mm (4.28")	114 mm (4.50")	66.7 mm (2.625")	24 mm (.94")	48mm (1.88")	1/4"-20	37mm (1.44")
VFF30-2	Silicone	109 mm (4.28")	115 mm (4.50")	66.7 mm (2.625")	24 mm (.94")	48mm (1.88")	1/4"-20	37mm (1.44")
VFF30-20-2	Silicone	109 mm (4.28")	114 mm (4.50")	66.7 mm (2.625")	24 mm (.94")	48mm (1.88")	1/4"-20	37mm (1.44")
VFF30-2-4	Silicone	109 mm (4.28")	115 mm (4.50")	66.7 mm (2.625")	24 mm (.94")	48mm (1.88")	1/4"-20	37mm (1.44")
VFF30-2ULC	Silicone	109 mm (4.28")	114 mm (4.50")	66.7 mm (2.625")	24 mm (.94")	48mm (1.88")	1/4"-20	37mm (1.44")
VFF30-3	Fluoro-silicone	109 mm (4.28")	115 mm (4.50")	66.7 mm (2.625")	24 mm (.94")	48mm (1.88")	1/4"-20	37mm (1.44")

MODEL	BACK OF FUEL LOCK TO CTR. OF VACUUM PORT	AIR VALVE VACUUM PORT (NPT)	FUEL OUTLET (NPT)	FUEL INLET (NPT)	PRIMER
	VFF30	32mm (1.25")	1/8"	1/4"	1/4"
VFF30-2	32mm (1.25")	1/8"	1/4"	1/4"	
VFF30-20-2	32mm (1.25")	1/8"	1/4"	1/4"	ELECTRIC PRIMER
VFF30-2-4	32mm (1.25")	1/8" w/Check Valve	1/4"	1/4"	MANUAL PRIMER
VFF130-2ULC	32mm (1.25")	1/8"	1/4"	1/4"	
VFF30-3	32mm (1.25")	1/8"	1/4"	1/4"	

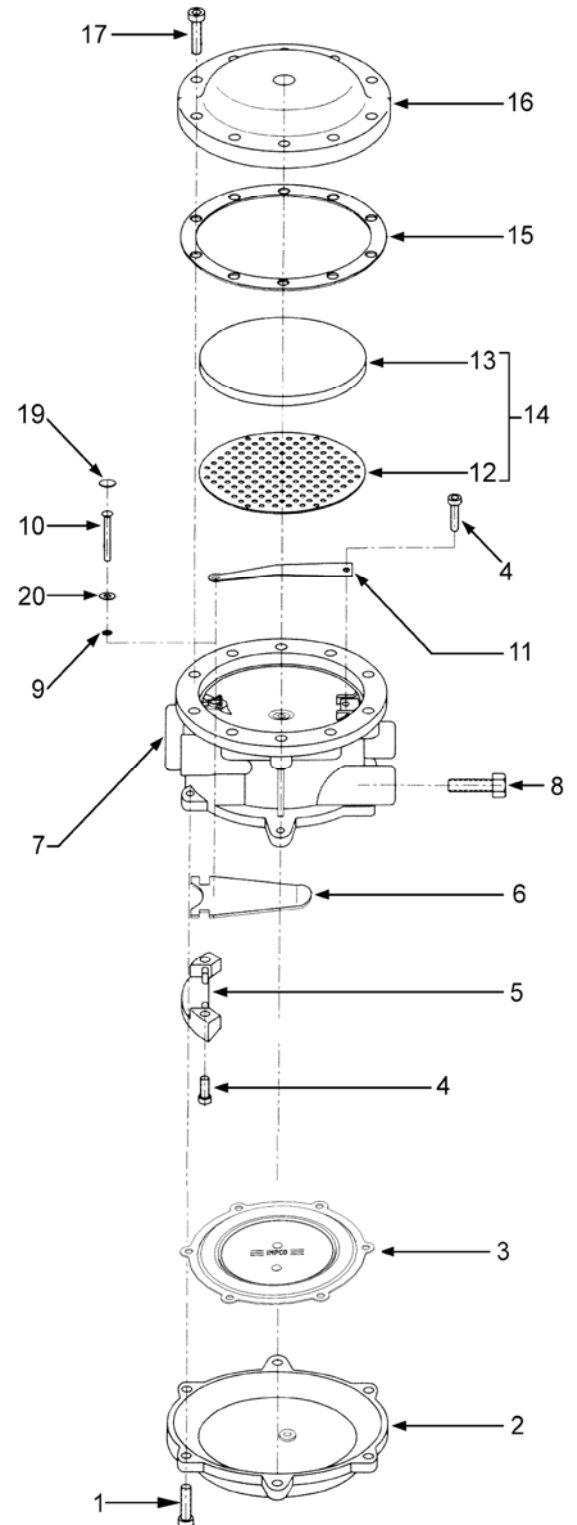
MODEL VFF30 VACUUM FUEL LOCK/FILTER

FUEL SHUT-OFFS/LOCKOFFS



COMPONENTS

ITEM#	PART#	DESCRIPTION
1*	S1-15265-001	Screw, 8-32 Taptite (6)
2	C1-37	Diaphragm cover, (std., VFF30 only) Diaphragm Assy (Hydrin)
	NSS	(RK-VFF30)
3*	NSS	Diaphragm Assy, Silicone
	NSS	(RK-VFF30-2)
	NSS	Diaphragm Assy, Flourosilicone
	NSS	(RK-VFF30-3)
4*	NSS	Screw, 8-32 Taptite (3)
5	F3-2	Fulcrum
6	NSS	Valve operating lever
7	NSS	Body ass'y
8	S1-5	Screw, 1/4-20 x 5/8" SEMS (2)
9*	S3-116	Seal, Lip Pin
10*	NSS	Valve, operating pin
11	S2-40	Valve, spring
12*	NSS	Screen, back-up filter
13*	NSS	Filter
14*	NSS	Filter Assy (includes Filter & Screen)
15*	NSS	Filter cover gasket
16	C1-38	Filter cover
17	NSS	Screw, 12-24 Taptite (10)
18	AF4-66	Fitting, ball check, assy (not shown, VFF30-2-4 only)
19*	NSS	Seat, VFF30
20*	NSS	Washer, Seal Retaining



NSS = Not Serviced Separately

* Repair Kit Components. Note that extra screws (both slotted and torx) are included in the repair kits to replace any that may be damaged.



MODEL VFF30 VACUUM FUEL LOCK/FILTER

FUEL SHUT-OFFS/LOCKOFFS

ACCESSORIES

PRIMER

PART#	DESCRIPTION
AC1-57	Cover, VFF30 w/Electric Primer

REPAIR KITS

PART#	DESCRIPTION
RK-VFF30	Repair Kit, Hydrin
RK-VFF30-2	Repair Kit, Silicone
RK-VFF30-3	Repair Kit, Fluorosilicone