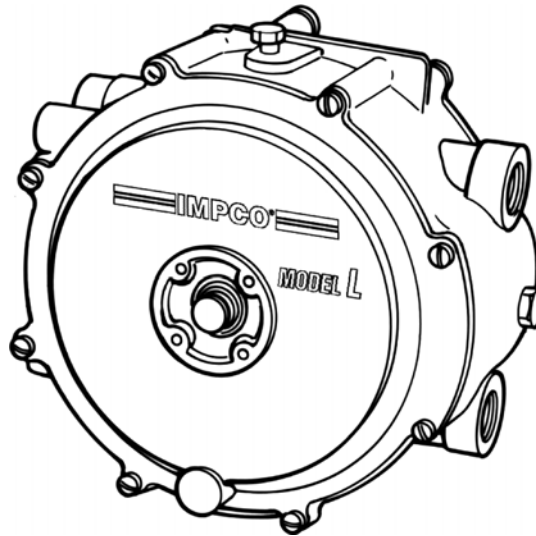


MODEL L REGULATOR**DESCRIPTION**

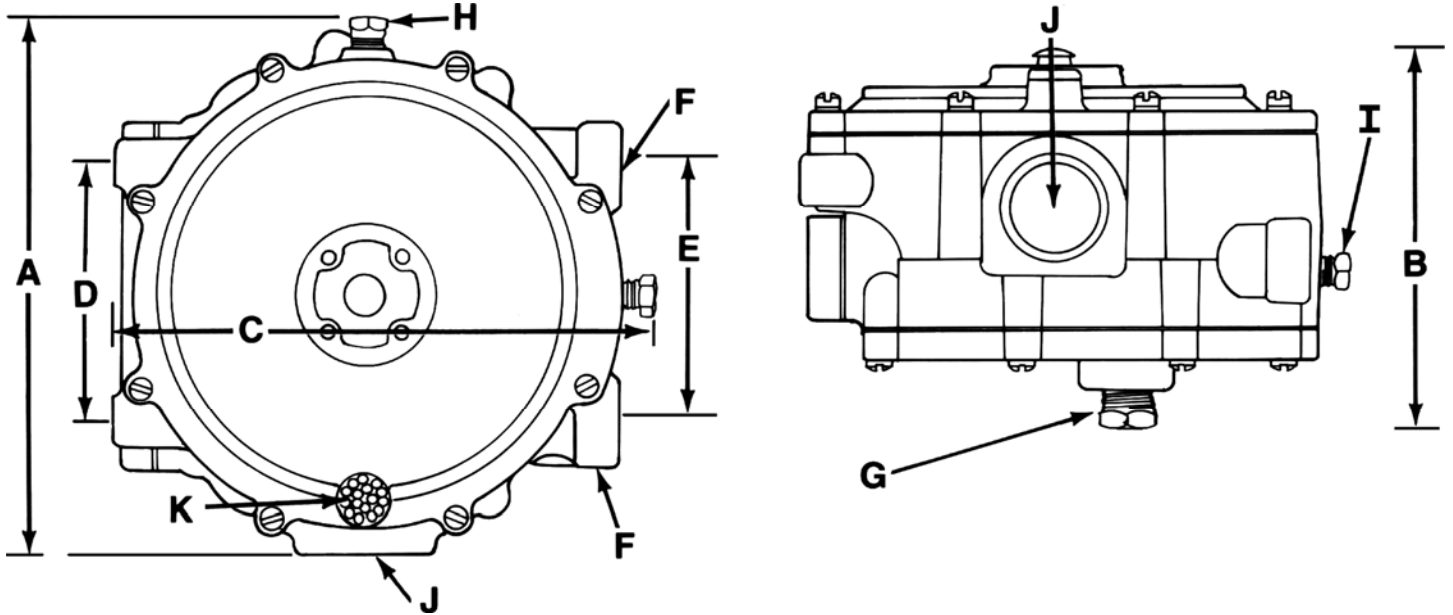
The Model L is a two stage regulator/vaporizer. These units are coolant heated and are able to provide liquid vaporization to supply up to 325 hp (242 kW) peak or 200 hp (150 kW) continuous in industrial engine applications. The Model L regulator provides a negative outlet pressure of -1.5" w.c. (-0.37 kPa). No optional pressures are available. The Model L offers economical performance with full features; rear fuel inlet, and primary and secondary diagnostic test ports. Optional silicone diaphragm materials are also available.

SPECIFICATIONS

Fuel Type	LPG Liquid/Vapor
Inlet Pressure	
Maximum.....	312 psi (21.51 Bar)
Minimum.....	30 psi (207 kPa)
Outlet Pressure (Nominal).....	-1.5" w.c. (0.37 kPa)
HP/kW	325 hp (242 kW) peak, 200 hp (150 kW) continuous
Operating Temperature Range	-40°F to +250°F (-40°C to +121°C)
Fuel Filtration	40 micron
Heating Chamber Source.....	Required for liquid LPG
Mounting Position.....	Vertical, with outlet down recommended. Horizontal position can be used when fuel contamination can be controlled with HD-5 specified LPG fuel.
Applications.....	Mobile, industrial and automotive
Certification	UL (AU1502) Inquire for specific ECE approval



DIMENSIONS



	A	B	C	D	E	F	G	H	I	J	K
	OVERALL HEIGHT	OVERALL DEPTH	OVERALL WIDTH	MOUNTING HOLES CTR. TO CTR.	COOLANT INLET AND OUTLE CTR. TO CTR.	COOLANT INLET AND OUTLET (NPT)	FUEL INLET (NPT)	SECONDARY TEST PORT (NPT)	PRIMARY TEST PORT (NPT)	FUEL OUTLET (NPT)	VENT BALANCE LINE CONNECTION (NPT)
LB, LB-2	160mm (6.313")	110mm (4.313")	165mm (6.500")	76.2mm (3.00")	76.2mm (3.00")	3/8"	1/4"	1/8"	1/8"	1"	1/8"

MODEL L REGULATOR

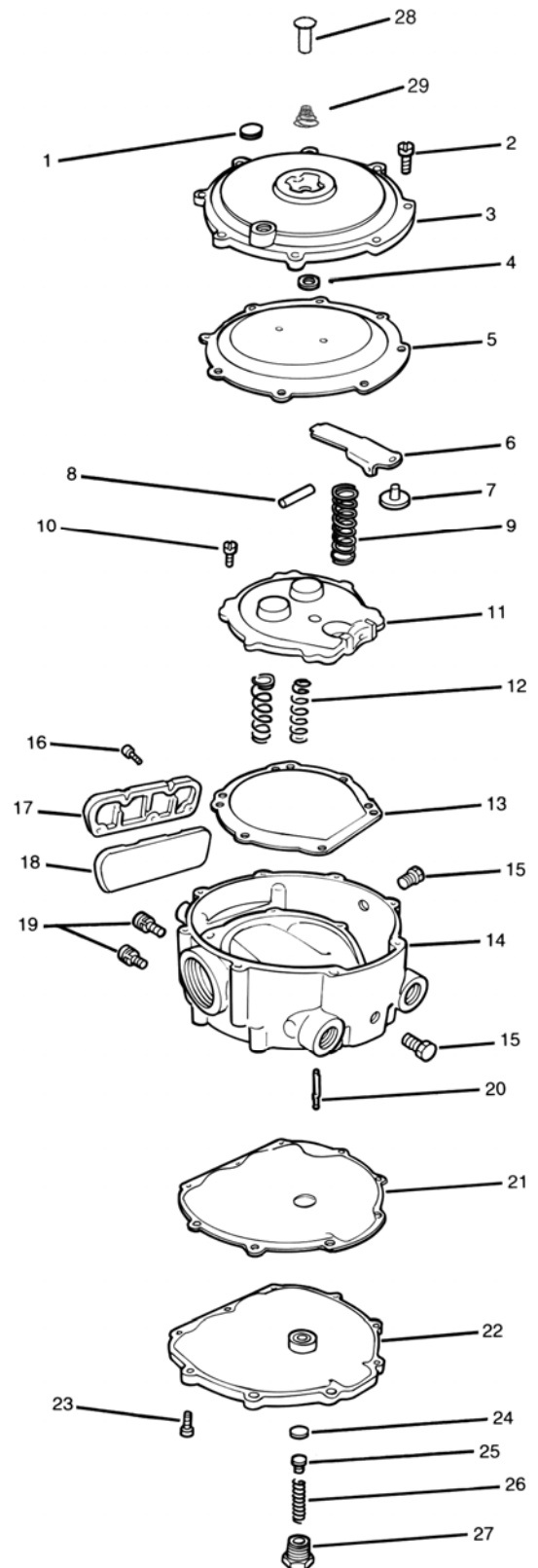
REGULATORS



COMPONENTS

ITEM#	PART#	DESCRIPTION
1	S7-1	Screen, atmospheric vent
2	S1-59*	Screw, 8-32 x 5/8" SEMS (8)
3	NSS	Cover ass'y, secondary
4	W1-27*	Washer, hand primer
5	NSS*	Diaphragm ass'y, secondary, Hydrin
	NSS*	Diaphragm ass'y, secondary, Silicone
6	L1-87*	Lever, secondary
7	S4-37*	Seat, secondary
8	NSS	Pin, secondary lever fulcrum
9	S2-97	Spring, secondary regulator (blue)
10	S1-59*	Screw, 8-32 x 3/8" SEMS (2)
11	NSS	Cover, primary diaphragm
12	S2-92	Spring, primary regulator
13	NSS*	Diaphragm ass'y, primary
14	NSS	Body ass'y
15	P3-13	Plug, hex head, 1/8 NPT
16	S1-59*	Screw, 8-32 x 5/8" SEMS (5)
17	C1-61	Cover, water passage
18	NSS*	Gasket, water passage
19	S1-5	Screw, 1/4-20 x 5/8" SEMS (2)
20	P1-34	Pin, primary valve
21	NSS*	Gasket, vaporizing chamber
22	AC1-64	Cover, vaporizing chamber
23	S1-3*	Screw, 10-24 x 5/8" SEMS (9)
24	NSS*	Seat, primary
25	NSS*	Seat support, primary
26	S2-93	Spring primary valve
27	B3-25551	Bushing, fuel inlet
28	NSS	Pin, Primer
29	NSS	Spring, Primer

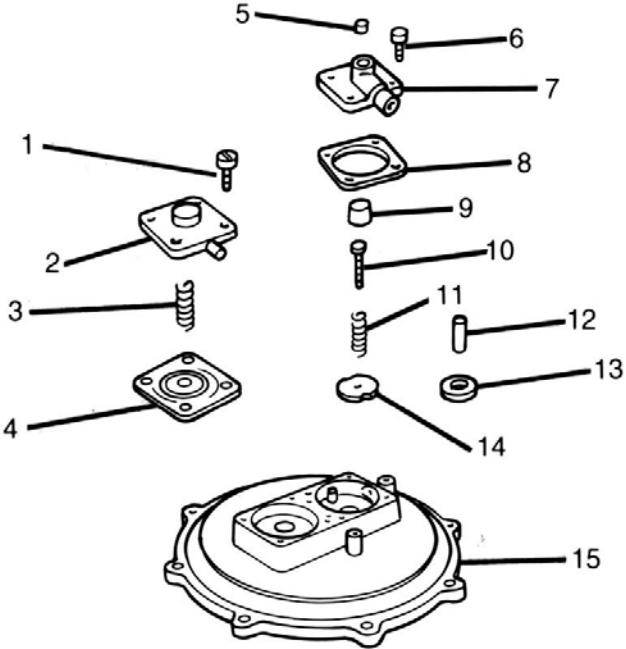
* Item included in repair kit



COMPONENTS (CONTINUED)

AC1-66 COVER (L-20 SERIES WITH EC1)

ITEM#	PART #	DESCRIPTION
1	NSS	Screw, 8-32 x 5/8" SEMS (4)
2	NSS	Cover, diaphragm
3	NSS	Spring, diaphragm
4	NSS	Diaphragm ass'y, for EC1
5	NSS	Plug, 1/16 NPT
6	NSS	Screw, 8-32 x 5/8" SEMS (4)
7	NSS	Cover, EC1-3
8	NSS	Gasket, EC1 body
9	NSS	Spring, valve
10	NSS	Screw adjustment, 6-32 x 7/8"
11	NSS	Screw, adjustment lock
12	NSS	Screw, Allen set, 10-32 x 3/4"
13	NSS	Nut, 10-32
14	NSS	Valve, disk
15	NSS	Cover ass'y, secondary, w/ EC1



FUEL CONTROL VALVES

PART #	DESCRIPTION
SV *	Start assist valve, electric solenoid
VPV *	Vacuum power valve
FCV	Fuel control valve, computer feedback system

* Use in secondary accessory port.

REPAIR KITS

PART #	DESCRIPTION
RK-L	For model L
RK-L-2	For model L, w/ silicone diaphragm

NSS = Not Serviced Separately

GAUGE

PART #	DESCRIPTION
G2-2	For Models E & L secondary lever