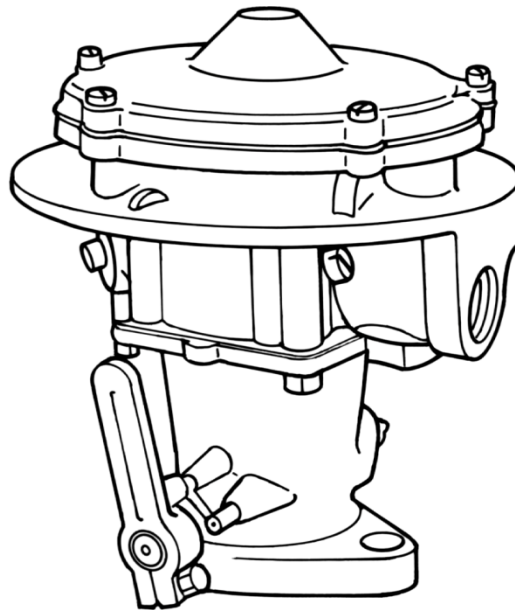


MODEL 225 CARBURETOR



DESCRIPTION

The Model 225 carburetor is a single-diaphragm air valve carburetor/mixer. It offers a down-draft air inlet that can be used for remote air filtration or open-element type air filters. This unit is available for LPG Vapor or Natural Gas applications with air flow requirements up to 380 CFM (179.3 L/s).

The Model 225 is also available for feedback applications with the 'FB' designation. Note: All DG model mixers reduce air flow by 30%.

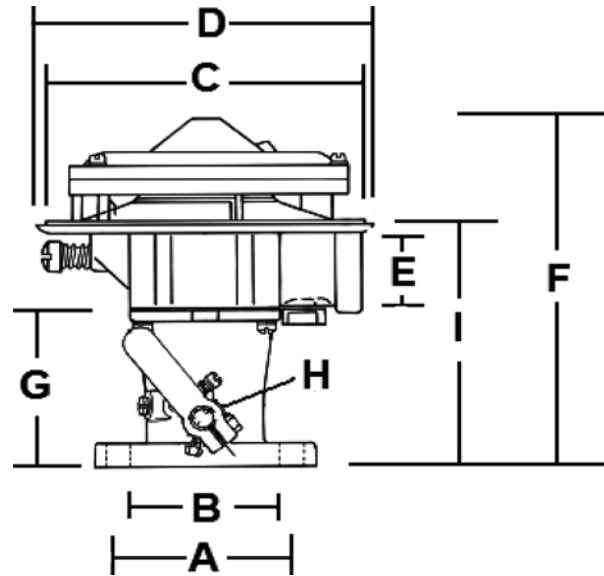
Two separate air valve vacuum supplies are available with this mixer. Additional low speed mixture control can be obtained to lean air/fuel mixtures with optional ring spacers/shims. Check the Accessories section for more information.

SPECIFICATIONS

Fuel Type	LPG Vapor or Natural Gas
Inlet Pressure	-1.5" w.c. (-0.37 kPa)
Operating Temperature Range	-40°F to +250°F (-40°C to +121°C)
Mounting Position.....	Vertical
Diaphragm Material.....	Hydrin (Standard), Silicone (Optional)
HP/kW	205 hp (153kW) @ 329 CFM (155 L/s) and 1.5" in Hg manifold depression
	237 hp (176.7 kW) @ 380 CFM (179.3 L/s) and 2.0" in Hg manifold depression



DIMENSIONS



CARB	THRTL. BODY	SAE FLANGE	CTR. TO CTR. BOLT SPACING	BORE	MIXER AIR HORN		NPT INLET	OVRAL. HEIGHT	THRTL. BODY HEIGHT	THRTL. SHAFT DIA.	FLANG. TO CTR. OF AIR HORN
					DIA.	OVRAL. WIDTH					
225-94	AT2-6	2"	60.45mm (2.38")	55.6mm (2.188")	N/A	159 mm (6.250")	3/4"	184 mm (7.250")	69.9mm (2.750")	7.9 mm (.313")	114 mm (4.500")
225-94-2	AT2-6	2"	60.45mm (2.38")	55.6mm (2.188")	148 mm (1.688")	159 mm (6.250")	3/4"	191 mm (7.500")	82.6mm (3.250")	9.5 mm (.375")	127 mm (5.000")
CA225-94	AT2-6	2"	60.45mm (2.38")	55.6mm (2.188")	148 mm (1.688")	159 mm (6.250")	3/4"	191 mm (7.500")	82.6mm (3.250")	9.5 mm (.375")	127 mm (5.000")

MODEL 225 CARBURETOR

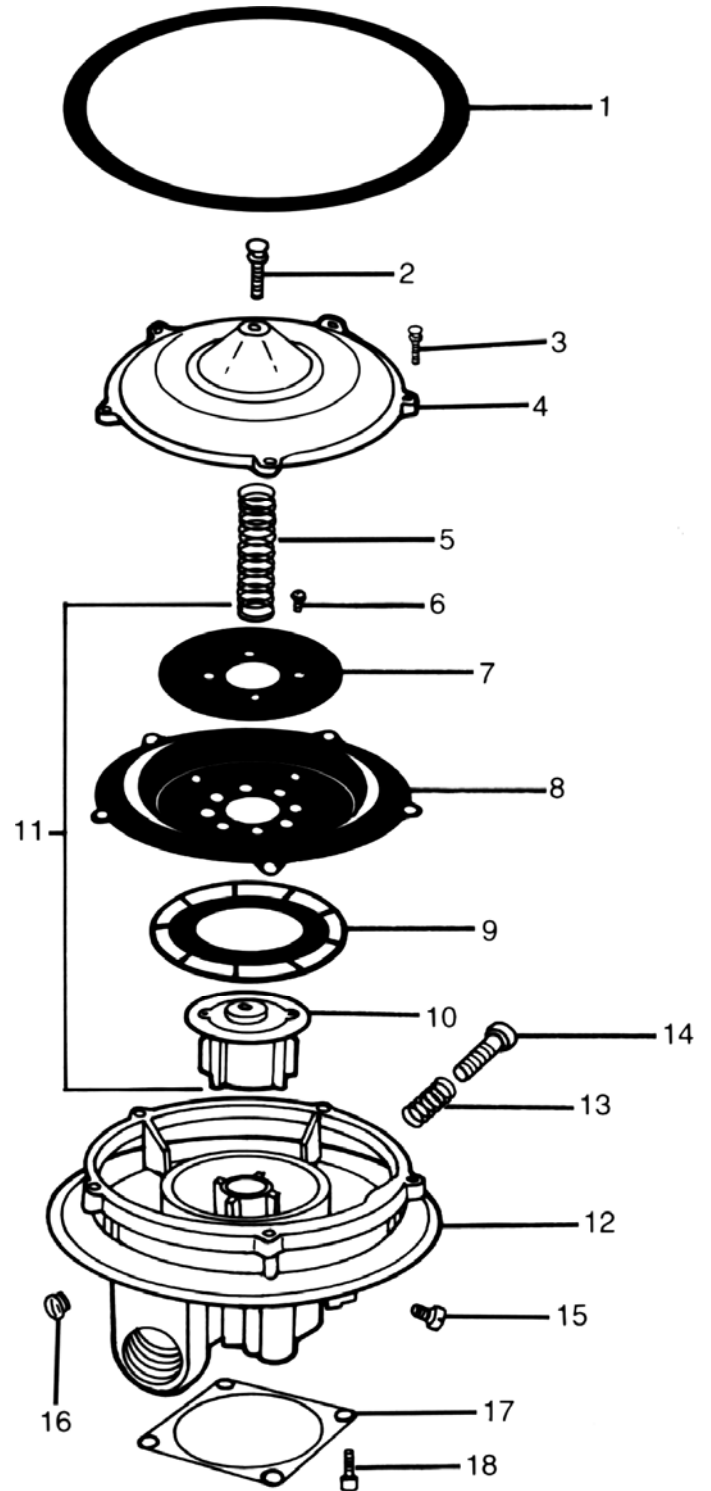
CARBURETORS & MIXERS



COMPONENTS

ITEM #	PART #	DESCRIPTION
1	G1-73	Gasket, mixer to Air Horn
2	S1-47	Screw, 1/4" -20 x 1" SEMS
3	S1-3	Screw, 10 -24 x 5/8" SEMS (5)
4	NSS	Cover, air valve
5	S2-17	Spring, air valve
6	S1-12	Screw, 8-32 x 5/16" SEMS (4)
7	P2-21	Plate, backup
8	D1-16-1	Diaphragm
	D1-16-2	Diaphragm, Silicone
9	R1-17	Ring, air valve
10	BV1-12	Air-gas valve ass'y, LPG
	DV1-12	Air-gas valve ass'y, NG
		Air-gas valve ass'y, complete w/
11	AV1-12	diaphragm, LPG
		Air-gas valve ass'y, complete w/
	CV1-12	diaphragm, NG
12	NSS	Body ass'y
13	S2-16	Spring, idle screw
14	NSS	Idle screw
15	S1-69	Screw, 1/4" -28 x 5/16" (3)
16	NSS	Plug, 1/8 NPT, brass
17	G1-21	Gasket, throttle body to mixer
18	S1-19	Screw, 12-24 x 5/8" SEMS

NSS = Not Serviced Separately





ASSEMBLIES & ACCESSORIES

MIXERS

PART #	DESCRIPTION
225M-2	For NG, w/silicone diaphragm
FB225M-2	For feedback, w/ silicone diaphragm
FB225M-F6T49	Mixer assembly, Model 225 Tamper Rest For Ford QVM
CA225M	For LPG
CA225M-2	Use CA225M-3-2 Instead
FB225M-2TP	Feedback Mix w/Sil Diaphragm Tamper Resistant

THROTTLE BODIES (ONE BARREL)

PART #	DESCRIPTION
AT2-4-2	Standard, 38.1 mm (1.50") flange, 7.9 mm (0.31") shaft dia.
AT2-5	Standard, 44.5 mm (1.75") flange, 9.5 mm (0.38") shaft dia.
AT2-6	Standard, 50.8 mm (2.00") flange, 9.5 mm (0.38") shaft dia., center bore
AT2-6-3	50.8 mm (2.00") flange, 9.5 mm (0.38") shaft dia., center bore, w/ needle bearings & internal seal

* All throttle bodies are offset 8.8 mm (0.031") unless otherwise noted.

THROTTLE BODIES (TWO BARREL)

PART #	DESCRIPTION
AB1-24-1	Body Assy 2B Throttle

ACCESSORIES

PART #	DESCRIPTION
VCS	Valve, Solenoid Vacuum Lift

ADAPTERS

PART #	DESCRIPTION
A2-55	Adapter, Air Cleaner Base 225M

ADAPTERS

PART #	DESCRIPTION
A2-2	Air Horn, 130 mm (5.13") dia.
A2-3	Air Horn, 66.7 mm (2.63") dia.
A2-6	Air Horn, 77.8 mm (3.06") dia.
AA3-19	200M to Holley 2B throttle body
A3-28	200M to 3-1/16" hose
A3-30	200M to 2-5/8" hose
AA3-32-2	200M to CA100 throttle body
AA3-47-2	200M to CA425 throttle body
AA3-48-2	200M to CA425 hose elbow
A3-124-2	Adapter 125 Solex TB Modified
AA2-21	Adapt Air Horn 90° by 4" to 225

MODEL 225 CARBURETOR

CARBURETORS & MIXERS



ASSEMBLIES & ACCESSORIES (CONTINUED)

LEVERS

PART #	DESCRIPTION
AL1-7-1	Ass'y 44.5 mm (1.75") long (std. on AT2-3, AT2-4-1, AT2 4-3, AT2-16-1)
AL1-7-2	Ass'y, w/ 64 mm (0.25") ball stud, 44.5 mm (1.75") long
AL1-7-3	Ass'y 33.3 mm (1.31") long (std. on AT2-1, AT2-2, AT2-23)
AL1-7-4	Ass'y, w/ swivel, 44.5 mm (1.75") long Stop ass'y, 7.9 mm (0.31") mounting I.D., 19.1 mm (0.75") long (std. on AT-3, AT2-4-1, AT2-4-3, AT2-16-1, AT2-23)
AL1-8-2	58.7 mm (2.31") long (standard on AT2-5, AT2-6)
AL1-9-1	58.7 mm (2.31") long, 0.562" mounting ID
AL1-9-2	Lever 200 w/Swivel
AL1-10	Lever stop ass'y, 9.5 mm (0.38") mounting I.D., 22.2 mm (0.88") long, standard on AT2-5, AT2-6
AL1-11-1	Lever stop ass'y, 11.1 mm (0.44") mounting I.D., 25.4 mm (1.00") long, standard on AT2-11-1, AT2-12, AT2-13-1, AT2-15
AL1-12-1	77.8 mm (3.06") long
AL1-12-3	58.7 mm (2.31") long, standard on AT2-11-1, AT2-12, AT2-13-1, AT2-15
AL1-27-1	Ass'y, floating 7.9 mm (0.31") mounting I.D., 54.0 mm (2.13") long, w/ AC2-12
AL1-27-2	Ass'y, floating 7.9 mm (0.31") mounting I.D., 54.0 mm (2.13") long, w/ AC2-12, w/ swivel
AL1-33	Ass'y, shaft clamp, 7.9 mm (0.31") mounting I.D., 49.2mm (1.94") long
AL1-46	Ass'y, steel shaft clamp, 7.9 mm (0.31") mounting I.D., 47.6 mm (1.88") long

NOTES:

AL1-7-1 through AL1-7-4 levers used w/ AL1-8 lever stop.

AL1-9 levers used w/ AL1-10 lever stop.

AL1-12 levers used w/ AL1-11 lever stop.



MODEL 225 CARBURETOR

CARBURETORS & MIXERS

ASSEMBLIES & ACCESSORIES (CONTINUED)

AIR-GAS VALVES

PART #	DESCRIPTION
AV1-12	Standard, w/Hydrin diaphragm
AV1-12-2	Standard, w/Silicone diaphragm
AV1-12-3	For 1 & 2 cylinder engines, w/Hydrin diaphragm & ball check ass'y
AV1-12-3-2	For 1 & 2 cylinder engines, w/Silicone diaphragm & ball check ass'y
AV1-12-6	Rich, w/Hydrin diaphragm
AV1-1245	Standard feedback, w/Hydrin diaphragm
AV1-1245-2	Standard feedback, w/Silicone diaphragm
DG-AV1-12	For digester gas (550-750 BTU), w/Hydrin diaphragm
DG-AV1-12-2	For digester gas (550-750 BTU), w/Silicone diaphragm
LH-AV1-12-2	For low heat gas (750-950 BTU), w/Silicone diaphragm
CV1-12	For natural gas, w/Hydrin diaphragm
CV1-12-2	For natural gas, w/Silicone diaphragm

RETURN SPRINGS

PART #	DESCRIPTION
AS2-50-2	7.9 mm (0.31") throttle return
AS2-50-3	9.5 mm (0.38") throttle return
AS2-50-4	11.1 mm (0.44") throttle return

Note: All DG model mixers reduce air flow by 30%.

SPACERS

PART #	DESCRIPTION
AS3-45	Spacer ass'y, 20.6 mm (0.81") high

RING SPACERS

PART #	DESCRIPTION
R1-30	Ring, air valve spacer, for AV1-12 (to lean mixture)

AIR CLEANERS

PART #	DESCRIPTION
AF1-17-2	Offset, 260 L/s (550 cfm), 356 mm (14.00") O.D., 106 mm (4.19") high

GASKETS

PART #	DESCRIPTION
G1-51	Gasket, H.L. Governor for AA3-19

BEARING, T/B SHAFT

PART #	DESCRIPTION
B2-14	Bearing, T/B Shaft