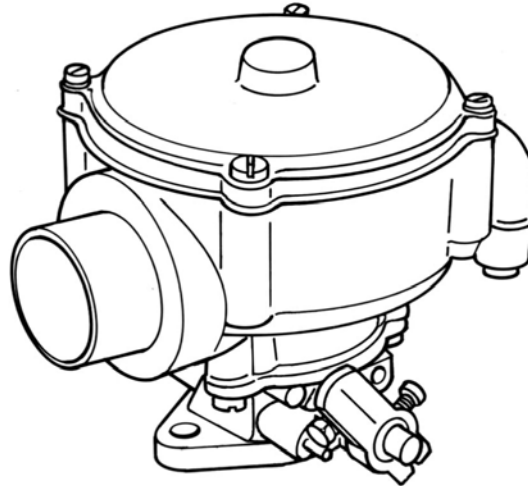


MODEL 100 CARBURETOR

CARBURETORS & MIXERS



MODEL CA100 CARBURETOR



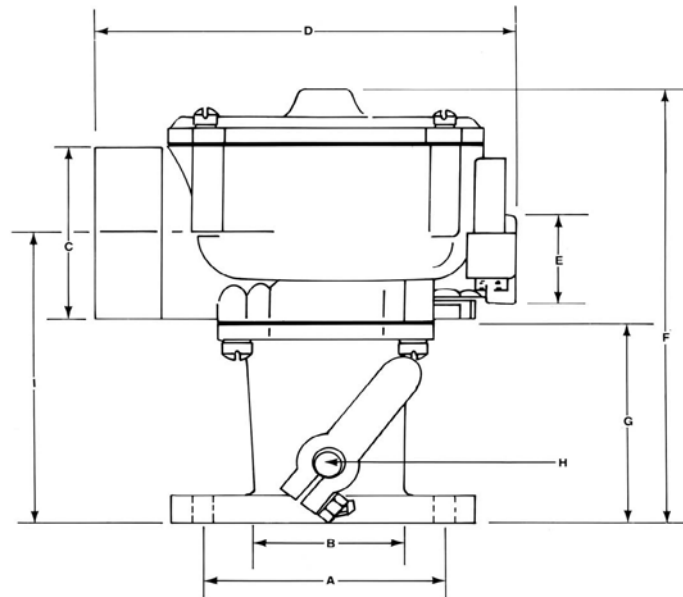
DESCRIPTION

The Model 100 is a single diaphragm air-gas valve carburetor/mixer. It offers a 90 degree air inlet to provide low overhead clearance, and is available with several Air Horn and throttle body options. This unit is available for LPG Vapor and Natural Gas applications with air flow requirements up to 197 CFM (93 L/s). The Model 100 is also available for feedback applications with the 'FB' designation.

The 100 mixer provides a convenient 1/8 NPT balance port and two separate air valve vacuum ports. Additional low speed, idle mixture control can be obtained to lean air/fuel mixtures through the use of optional shims.

SPECIFICATIONS

Fuel Type	LPG Vapor or Natural Gas
Inlet Pressure	-1.5" w.c. (-0.37 kPa)
Operating Temperature Range	-40°F to +250°F (-40°C to +121°C)
Mounting Position.....	Vertical
Diaphragm Material.....	Hydrin or Silicone
HP/kW Rating.....	106 HP (79 kW) @ 170 CFM (80 L/s) and 1.5" in Hg manifold depression
	123 HP (91.7 kW) @ 197 CFM (93 L/s) and 2.0" in Hg manifold depression

DIMENSIONS


STD.CARB	MIXER	THROTTLE BODY	SAE FLANGE	CTR. TO CTR. BOLT SPACING	MIXER AIR HORN			NPT INLET	OVERALL HEIGHT	THROTTLE BODY		THROTTLE SHAFT DIA.	FLANGE TO CTR. OF AIR HORN
					BORE	OVERAL L WIDTH	HORN DIA.			HEIGHT	HEIGHT		
CA100-6	CA100M-2	AT2-2	1"	60.3MM (2.375")	30.2MM (1.188")	47.6MM (1.875")	131MM (5.156")	1/2"	117MM (4.625")	38.5MM (1.438")	6.4MM (0.250")	67.0MM (2.64")	
CA100-8	CA100M-3	AT2-3	1-1/4"	68.3 mm (2.688")	36.5 mm (1.438")	52.4 mm (2.063")	131 mm (5.156")	1/2"	150.4 mm (5.92")	69.1 mm (2.719")	8.0 mm (0.313")	99.6 mm (3.92")	
CA100-10	CA100M-4	AT2-3	1-1/4"	68.3 mm (2.688")	36.5 mm (1.438")	58.8 mm (2.313")	131 mm (5.156")	1/2"	150.4 mm (5.92")	69.1 mm (2.719")	8.0 mm (0.313")	99.6 mm (3.92")	
CA100-12	CA100M-4	AT2-4-1	1-1/2"	74.6 mm (2.938")	42.9 mm (1.688")	58.8 mm (2.313")	131 mm (5.156")	1/2"	150.4 mm (5.92")	69.1 mm (2.719")	8.0 mm (0.313")	99.6 mm (3.92")	
CA100-35	CA100M-4-2	AT2-4-1	1-1/2"	74.6 mm (2.938")	42.9 mm (1.688")	58.8 mm (2.313")	131 mm (5.156")	1/2"	150.4 mm (5.92")	69.1 mm (2.719")	8.0 mm (0.313")	99.6 mm (3.92")	
CA100-46	CA100M-4	AT2-4-3	1-3/4"	84.1 mm (3.313")	42.9 mm (1.688")	58.8 mm (2.313")	133mm (5.25")	1/2"	150.4 mm (5.92")	71.4 mm (2.813")	8.0 mm (0.313")	102 mm (4.01")	
CA100-64	NSS	AT2-23	1-1/4"	68.3 mm (2.688")	36.5 mm (1.438")	52.4 mm (2.063")	131 mm (5.156")	1/2"	116.3 mm (4.58")	34.9 mm (1.375")	8.0 mm (0.313")	65.5mm (2.58")	
CA100-64G	CA100M-3	N/A	-	8.0mm (3.155")	Custom	52.4 mm (2.063")	131 mm (5.156")	1/2"	111mm (4.37")	N/A	N/A	60.2mm (2.37")	
CA100-66	CA100M-4	AT2-4-1	1-1/2"	74.6 mm (2.938")	42.9 mm (1.688")	58.8 mm (2.313")	131 mm (5.156")	1/2"	150.4 mm (5.92")	69.1 mm (2.719")	8.0 mm (0.313")	99.6 mm (3.92")	

MODEL 100 CARBURETOR

CARBURETORS & MIXERS

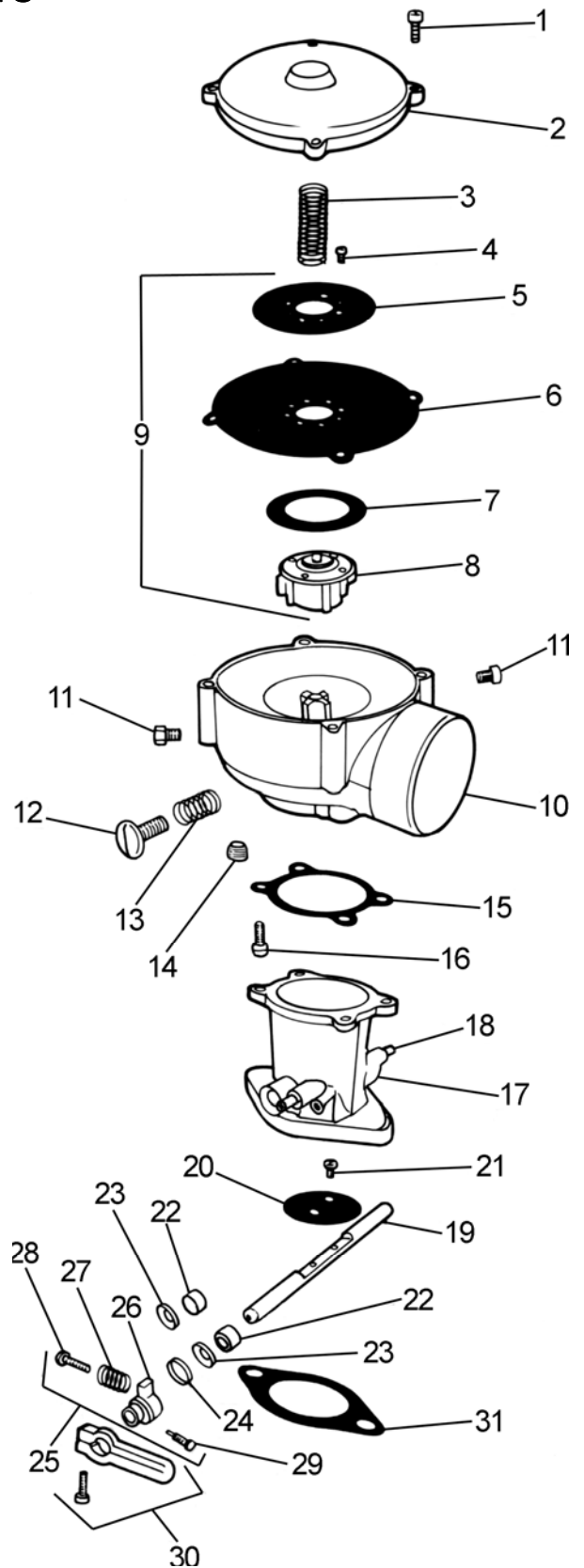


DIMENSIONS (CONTINUED)

STD. CARB	MIXER	THROTTLE BODY	SAE FLANGE	CTR. TO CTR. BOLT SPACING	BORE	MIXER AIR HORN DIA.	OVERALL WIDTH	NPT INLET	OVERALL HEIGHT	THROTTLE BODY HEIGHT	THROTTLE SHAFT DIA.	FLANGE TO CTR. OF AIR HORN
CA100-90	CA100M-4	AT2-16-4	1.25-1.5"	71.6mm (2.82")	42.9mm (1.688")	58.8mm (2.313")	131mm (5.156")	1/2"	122.7mm (4.83")	41.3mm (1.625")	8.0mm (0.313")	71.9mm (2.83")
CA100-108	NSS	AT2-23-6	1.25"	68.3mm (2.688")	36.5mm (1.438")	52.4mm (2.063")	131mm (5.156")	1/2"	116.3 (4.58")	34.9MM (1.375")	8.0MM (0.313")	67.06MM (2.64")
CA100-110	CA100M-3	NSS	1"	60.3MM (2.388")	30.2MM (1.188")	52.4mm (2.063")	131mm (5.156")	1/2"	117mm (4.625")	36.5mm (1.438")	6.4mm (0.250")	67.06mm (2.64")
CA100-112	CA100M-3	NSS	1.25"	68.3 mm (2.688")	36.5mm (1.438")	52.4mm (5.156")	131mm (5.156")	1/2"	116.3MM (4.58")	34.9MM (1.375")	8.0MM (0.313")	65.53MM (2.58")
CA100-124-2	CA100M-4	BT2-2-3	1"	60.3MM (1.188")	30.2MM (1.188")	58.8MM (2.313")	131mm (5.156")	1/2"	117 mm (4.625")	36.5 mm (1.438")	6.4mm (0.250")	67.06mm (2.64")
CA100-134	CA100M-3	NSS	1"	60.3MM (1.188")	30.2MM (1.188")	52.4mm (5.156")	131mm (5.156")	1/2"	117 mm (4.625")	36.5 mm (1.438")	6.4mm (0.250")	67.06mm (2.64")
CA100-136	CA100M-3	BT2-23-10	1.25"	68.3mm (2.688")	36.5mm (1.438")	52.4mm (2.063")	131mm (5.156")	1/2"	116.3 (4.58")	34.9 (1.375")	8.0MM (0.313")	67.06MM (2.64")
CA100-138	CA100M-3	NSS	1"	60.3MM (2.375")	30.2MM (1.188")	52.4 mm (1.188")	131mm (5.156")	1/2"	117 mm (4.625")	36.5 mm (1.438")	6.4mm (0.250")	67.06mm (2.64")
CA100-139	CA100M-3	NSS	1"	68.3mm (2.688")	36.5mm (1.438")	52.4mm (2.063")	131mm (5.156")	1/2"	117 mm (4.625")	36.5 mm (1.438")	6.4mm (0.250")	67.06mm (2.64")
CA100-180	NSS	BT2-23-849	1.25"	68.3mm (2.688")	36.5mm (1.438")	52.4mm (2.063")	131mm (5.156")	1/2"	116.3mm (4.58")	36.5 mm (1.438")	6.4mm (0.250")	67.06mm (2.64")
CA100-245	NSS	NSS		72.3mm (2.82")	42.2mm (1.66")							
CA100-272	CA100M-3	AT2-23-6	1.25"	68.3 mm (2.688")	36.5mm (1.438")	52.4mm (2.063")	131mm (5.156")	1/2"	116.3mm (4.58")	34.9MM (1.375")	8.0MM (0.313")	65.53MM (2.58")
CA100-183	N/A	NSS		74.68mm (2.94")	30.99mm (1.22")	52.32mm (2.06")	100.33mm (3.95")	1/2"	134.62mm (5.30")	41.45mm (1.62")	8.0MM (0.313")	82.55mm (3.25")

COMPONENTS

ITEM#	PART#	DESCRIPTION
1	S1-3	Screw, 10-24 x 5/8" SEMS (4)
2	C1-17	Cover
3	S2-85	Spring, air valve
4	S1-22	Screw, 5-32 X 1/4" SEMS (4)
5	P2-22	Plate, backup
6	D1-17	Diaphragm
	D1-17-2	Diaphragm, Silicone
7	R1-19	Ring, air valve
8	NSS	Air Valve
9	AV1-14	Air Gas Valve Assy, Complete
	AV1-14-2-962	Air Valve 30/35
10	NSS	Body, CA100M & 110M 2-5/6" AH
11	S1-69	Screw, 1/4-28 x 5/16" (2)
12	S1-74	Screw Idle
13	S2-88	Spring, Idle Screw
14	NSS	Plug, 1/8 NPT
15	G1-11	Gasket, Throttle Body to Mixer
16	S1-19	Screw, 12-24 x 5/8" SEMS (4)
17	NSS	Throttle Body
18	NSS	Pin, Throttle Stop (2)
19	S5-1	Throttle shaft, 6.4 mm (0.25") dia.
	NSS	Fly, 19.1mm (0.75")
20	NSS	Fly, 25.4mm (1.00")
	NSS	Fly, 31.8mm (1.25")
	NSS	Fly, 38.1mm (1.50")
21	NSS	Screw, 6-32 x 1/4" SEMS (2)
	NSS	Bearing Oilite, 6.4mm (0.25") I.D. (2)
22	NSS	Bearing Oilite, 8.0mm (0.31") I.D. (2)
	NSS	Bearing Needle, 8.0mm (0.31) I.D. Opt.
	NSS	Seal, 6.4mm (0.25") shaft (2)
23	NSS	Seal, 8.0 mm (0.31") shaft (2)
	S3-25	Seal, internal, 8.0 mm (0.31") I.D., Opt.
24	R1-9	Ring, Seal Retainer
25	AL1-8-1	Throttle Stop ass'y, 6.4 mm (0.25") I.D.
	AL1-8-2	Throttle Stop ass'y, 8.0 mm (0.31") I.D.
26	NSS	Throttle Stop Lever, 6.4mm (0.25") I.D.
27	S1-21	Stop screw, 10-32 x 3/4"
28	S2-15	Spring, Idle Stop Screw
29	S1-18	Pin, Screw, Throttle Stop
30	NSS	Throttle Lever, Short w/Screw
	NSS	Throttle Lever, Long w/Screw
	G1-16	Gasket, 19.1 mm (0.75") Flange
	G1-17	Gasket, 25.4 mm (1.00") Flange
31	G1-18	Gasket, Flange 1-1/4" SAE
	NSS	Gasket, 31.8 mm (1.25") Flange



MODEL 100 CARBURETOR

CARBURETORS & MIXERS



ASSEMBLIES & ACCESSORIES

CA100 CARBURETORS

PART#	DESCRIPTION
CA100-10	Carb, 1-1/4" SAE flange, 2-5/16" Air Horn, lean flow
CA100-108	Carb, 1-1/4" SAE flange (short), 2-1/16" Air Horn, lean flow, low profile
CA100-110	Carb, 1" SAE flange, 2-1/16" Air Horn, drilled shaft, AL1-26-401
CA100-112	Carb, 1-1/4" SAE flange, 2-1/16" Air Horn, lean flow, short shaft
CA100-12	Carb, 1-1/2" SAE flange, 2-5/16" Air Horn
CA100-124-2	Carb. 1" x 2-1/16" Air Horn AT2-2
CA100-134	Carb, 1" SAE flange, 2-1/16" Air Horn, lean flow
CA100-136	Carb, 1-1/4" SAE flange, 2-1/16" Air Horn
CA100-138	Carb, 1" SAE flange, 1-1/16" Air Horn, Yale
CA100-139	Carb, 1" SAE flange, 2-1/16" Air Horn w/ bracket & swivel
CA100-180	Carb, 1-1/4" SAE flange, 2-1/16" Air Horn w/ L1-33, Clark
CA100-183	Carburetor Ass'y
CA100-194	Carb, AA3-67 adapter, 2-1/16" Air Horn, Clark
CA100-270	Carb Assy 1-1/4 X 2-1/16 Wis-Co
CA100-272	Carb, 1-1/4" SAE flange, 2-1/16" Air Horn, 100% flow, low caterpillar
CA100-35	Carb, 1-1/2" SAE flange, 2-5/16" Air Horn, AL1-7-1 lever, silicone dia.
CA100-46	Carb, 1-3/4" SAE flange, 2-5/16" Air Horn
CA100-498	Carb. Ass'y NAACO (1389498)
CA100-6	Carb. 1" x 1 7/8"
CA100-621	Carb. 2-5/16 Air Horn, Mazda 2.2L, Yale
CA100-64	Carb, 1-1/4" SAE flange (short), 2-1/16" Air Horn
CA100-64G	Carb, 2-1/6" Air Horn, 70/75 flow, no throttle ass'y.
CA100-66	Carb, 1-1/2" SAE flange, 2-5/16" Air Horn, 72/80 flow 1-1/4" SAE flange, 2-5/16" Air Horn, 72/80 flow, low profile
CA100-7108	Carburetor Ass'y (2817108)
CA100-8	1-1/4" SAE flange, 2-1/16" Air Horn
CA100-90	1-1/4" SAE flange, 2-5/16" Air Horn, lean flow, long shaft
CA100-91A	Carburetor Ass'y

MIXERS

PART#	DESCRIPTION
CA100M-1	38.1mm (1.50") Air Horn
CA100M-2	47.6mm (1.88") Air Horn
CA100M-2-2	47.6mm (1.88") Air Horn Silicone
CA100M-3	52.4mm (2.06") Air Horn
CA100M-3-2	52.4mm (2.06") Air Horn Silicone
CA100M-3-9	Mixer Assembly
CA100M-4	58.7mm (2.31") Air Horn
CA100M-4-2	58.7mm (2.31") Air Horn Silicone
CA100M-4-9	58.7mm (2.31") Air Horn Special
CA100M-5	41.3mm (1.63") Air Horn
FB100M-4	58.7mm (2.31") Air Horn for Feeback
CA100M-636	Mixer Ass'y Clark (2802636)

THROTTLE BODIES (STANDARD)

PART#	DESCRIPTION
AT2-1-5	3/4" SAE Flange, 6.4mm (0.25") Shaft Dia. w/vacuum
AT2-2	1" SAE flange, 6.4mm (0.25") Shaft dia.
AT2-2-5	1" SAE flange, 6.4mm (0.25") Shaft dia. w/vacuum
AT2-2-6	Throttle Assy 1" Long Shaft
AT2-3	1-1/4" SAE flange, 8.0mm (0.31") dia.
AT2-3-8	1-1/4"SAE Flange, 8.0mm (0.31") dia. Shaft w/vacuum
AT2-4-1	1-1/2" SAE flange, 8.0mm (0.31") Shaft dia.
AT2-4-3	1-3/4" SAE flange, 8.0mm (0.31") Shaft dia.
AT2-16-1	1-1/4" to 1-1/2" SAE flange, 8.0mm (0.31") Shaft dia.,
AT2-16-2	1-1/4" to 1-1/4" SAE flange, 8.0mm w/S5
AT2-16-4	1-1/4" to 1-1/2" SAE flange, 8.0mm (0.31") Shaft dia. w/needle bearings
AT2-23	1-1/4" SAE flange, 8.0mm (0.31") Shaft dia.
AT2-23-4	1-1/4" SAE flange, 8.0mm (0.31") dia.
AT2-23-5	Throttle Body 1 - 1/4 w/S5-11
AT2-23-6	Throttle Body 1 - 1/4 w/T1-17
AT2-23-7	T/B w/T2-23 Tapped (LP Gas)

AIR GAS VALVES

PART#	DESCRIPTION
AV1-14	Standard, w/Hydrin Diaphragm, LPG
AV1-14-12	Air Valve Assy
AV1-14-2-838	Air Gas Valve, 30/35 Clark
AV1-14-3	Standard, w/Silicone Diaphragm, LPG
AV1-14-76-2	Air Valve With Silicone 61/68
AV1-14-9-2	Air Valve Ass'y, w/2 Check Valve
AV1-14-2	Lean, w/Hydrin Diaphragm, LPG
AV1-14-220-2	w/Silicone Diaphragm, LPG, for non-Feedback
AV1-1447-2	For standard feedback, w/ silicone diaphragm
AV1-25413	Valve Assembly, Gas Air
AV1-14-12-2	Air Valve Assy, Silicone
AV1-14-4	Lean, w/Silicone Diaphragm, LPG
CV1-14	Air Gas Valve Ass'y,
CV1-14-2	Special lean, w/ silicone diaphragm
EV1-14-2	w/ 42 valve & silicone diaphragm
EV1-14-9	Air Gas Valve V2 for CA100M-636



**ASSEMBLIES & ACCESSORIES
(CONTINUED)**

CLAMP

PART #	DESCRIPTION
AC2-29	Clamp Ass'y, CA125-76

GOVERNOR

PART #	DESCRIPTION
AD1-85	Diaphragm Assy, Throttle Governor

RING SPACER SPACERS (OPTIONAL)

PART #	DESCRIPTION
R1-29	Ring, air valve spacer, AV1-14 (to lean idle mixtures)

THROTTLE SHAFTS

PART #	DESCRIPTION
S5-1	6.4mm (0.25") dia. 114mm (4.50") long (stud on AT2-1, AT2-2)
S5-2	8.0mm (0.31") dia. 127mm (5.00") long (std on AT2-3, AT2-4-1, AT2-4-3, AT2-16-1, AT2-23)
S5-6	6.4mm (0.25") dia., 121mm (4.75") long
S5-7	8.0mm (0.31") dia., 133mm (5.25") long
S5-11	8.0mm (0.31") dia., 133mm (6.13") long

ADAPTERS

PART #	DESCRIPTION
AA3-29-1	100M to 2-1/16" hose
A3-29-2	100M to 2-1/16" hose, tapped 12-24
A3-31	100M to 2-1/4" hose
AA3-32-1	100M to IMPCO 2B throttle body
A3-31	100M to 2-1/4" hose
AA3-32-1	100M to IMPCO 2B throttle body
AA3-49	100M to Datsun C5-P5 Nikki throttle body
AA3-50	100M to Datsun C3-P3 throttle body
AA3-58	100M to throttle body, offset 11.1mm (0.44")
A3-94	Datsun 4-bolt to 1" SAE flange

LEVERS

PART #	DESCRIPTION
AL1-7-1	Ass'y 44.5mm (1.75") long (std. on AT2-3, AT2-4-1, AT2-4-3, AT2-16-1)
AL1-7-2	Ass'y w/ 6.4mm (0.25") ball stud, 44.5mm (1.75") long
AL1-7-3	Ass'y, 33.3mm (1.31") long (std. on AT2-1, AT-2, AT2-23)
AL1-7-4	Ass'y, w/ swivel, 44.5mm (1.75") long
AL1-7-5	Ass'y, w/ Wisconsin swivel, 6.4mm (0.25") mounting I.D., 20.6mm (0.81") long
AL1-8-2	Stop ass'y, 8.0mm (0.31") mounting I.D., 19.1mm (0.75") long

LEVERS (CONTINUED)

PART#	DESCRIPTION
AL1-25-1	Ass'y, spring loaded, floating, 6.4mm (0.25") mounting I.D., 34.9mm (1.38") long w/ AC2-14-1
AL1-25-2	Ass'y, spring loaded, floating, 6.4mm (0.25") mounting I.D., 34.9mm (1.38") long w/ AC2-14-2
AL1-26-1	Ass'y, floating 6.4mm (0.25") mounting I.D., 54.0mm (2.13") long, w/ AC2-11
AL1-26-2	Ass'y, floating, w/ swivel 6.4mm (0.25") mounting I.D., 54.0mm (2.13") long, w/ AC2-11
AL1-27-1	Ass'y, spring loaded, floating, 8.0mm (0.31") mounting 54.0mm (2.13") long, w/ AC2-12
AL1-27-2	Ass'y, floating w/ swivel, 8.0mm (0.31") mounting I.D., 54.0mm (2.13") long w/AC2-12
AL1-31	Ass'y Shaft clamp, 6.4mm (0.25") mounting I.D., 49.2mm (1.94") long
AL1-33	Ass'y Shaft clamp, 8.0mm (0.31") mounting I.D., 49.2mm (1.94") long
AL1-46	Ass'y Shaft clamp, 8.0mm (0.31") mounting I.D 47.6mm (1.88") long

RETURN SPRINGS

PART#	DESCRIPTION
AS2-50-1	Throttle return, 6.4mm (0.25") Shaft
AS2-50-2	Throttle return, 8.0mm (0.31") Shaft

BRACKET ASSEMBLIES (OPTIONAL)

PART#	DESCRIPTION
AB4-2	Boden Wire
AB4-19	AS2-50-2 Throttle Return Spring