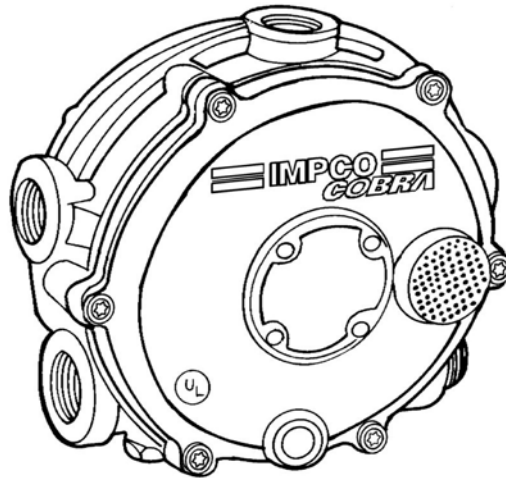


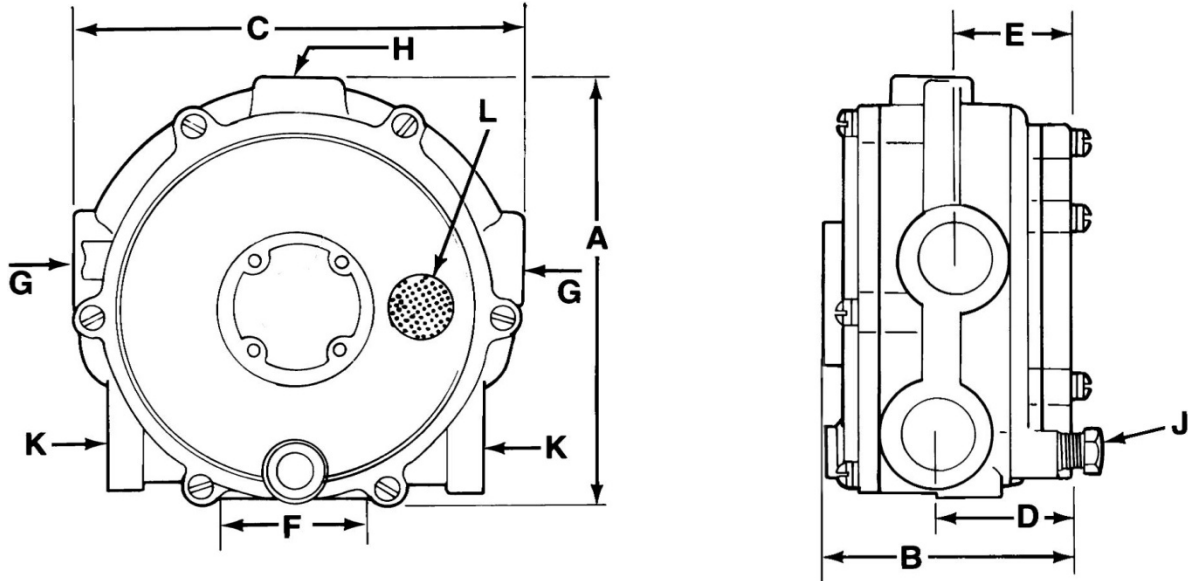
COBRA REGULATOR**DESCRIPTION**

The Cobra regulator/vaporizer delivers superior performance and excellent pressure output consistency. Cobra offers greater service life and is ideal for applications with controlled emissions. Its primary pin design and fluorosilicone diaphragm offer superior chemical resistance, resistance to over pressurization, and cold weather operation. Use of the standard blue secondary spring provides -1.5" w.c. (0.37 kPa). The optional orange secondary spring, provides -0.5" w.c. (0.12 kPa) output.

SPECIFICATIONS

Fuel Type	LPG Liquid/Vapor
Inlet Pressure	
Maximum	312 psi (21.51 Bar)
Minimum	30 psi (207 kPa)
Nominal Outlet Pressure	
Standard (blue spring)	-1.5" w.c. (-0.37 kPa)
Cobra I (orange spring)	-0.5" w.c. (-0.12 kPa)
HP/kW	100 hp (75 kW)
Operating Temperature Range	-40°F to +250°F (-40°C to +121°C)
Fuel Filtration	40 micron
Heating Chamber Source.....	Required for LPG liquid
Mounting Position.....	Vertical recommended. Horizontal position can be used when fuel contamination can be controlled with HD-5 or HD-10 specified LPG fuel.
Diaphragm Material.....	Silicone and fluorosilicone
Applications.....	Stationary, mobile, industrial and automotive
Certification	UL (AU1502) Inquire for specific ECE approval

DIMENSIONS



PART#	A	B	C	D	E	F	G	H	J	K	L
	OVERALL HEIGHT	OVERALL DEPTH	OVERALL WIDTH	BACK OF CONVERTER TO CTR. OF FUEL OUTLET	BACK OF CONVERTER TO CTR. OF WATER OUTLET	MOUNTING HOLES CTR. TO CTR.	COOLANT INLET AND OUTLET (NPT)	FUEL INLET (NPT)	PRIMARY TEST PORT (NPT)	FUEL OUTLET (NPT)	VENT BALANCE LINE CONNE. (NPT)
COBRA	108MM (4.25")	70.3MM (2.781")	117MM (4.625")	41.3MM (1.625")	34.9mm (1.375")	41.3mm (1.625")	3/8"	1/4"	1/8"	1/2"	1/8"

COBRA REGULATOR

REGULATORS

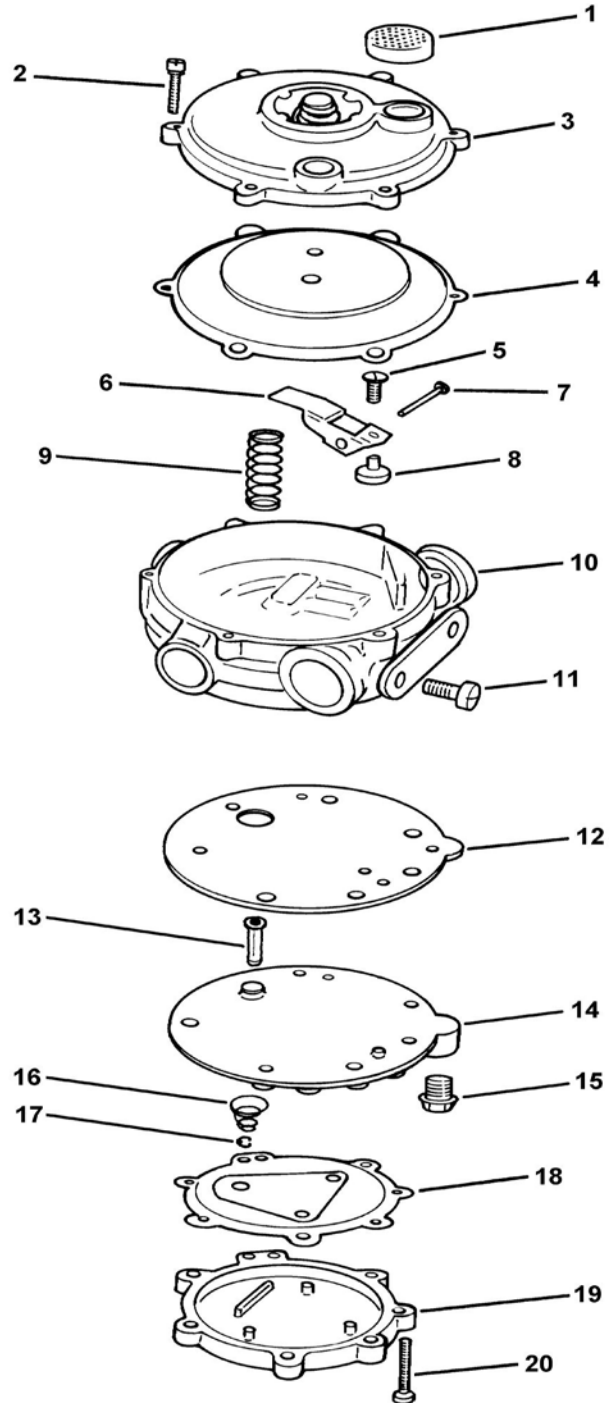


COMPONENTS

ITEM #	PART #	DESCRIPTION
1	NSS	Screen, atmospheric vent
2	NSS*	Screw, 8-32 x 7/8" Torx style (6)
3	NSS	Cover ass'y, secondary
4	NSS*	Diaphragm Assy, Secondary, Flourosilicone
5	NSS	Screw, 8-32 x 1/2" Torx style
6	L1-37*	Lever, secondary
7	P1-8	Pin, secondary fulcrum
8	S4-27*	Seat, secondary
		Spring, blue secondary, -0.37 kPa (-1.5"
9	S2-35	H2O), standard
		Spring, orange secondary, -0.12 kPa (-0.5"
	S2-38	H2O), optional
10	NSS	Body ass'y, w/ jet
Not Shown	NSS	Plug, vapor outlet
11	S1-5	Screw, 1/4-20 x 5/8" (2)
12	NSS*	Gasket, body to body cover plate
13	NSS*	Pin, valve primary
14	NSS	Plate, body cover
15	P3-13	Plug, 1/8 NPT, hex head
16	NSS*	Spring, primary
17	NSS*	E-ring, external
18	NSS*	Diaphragm ass'y, primary
19	NSS	Cover, primary
20	NSS*	Screw, 8-32 x 1-1/8" Torx style (7)

NSS = Not Serviced Separately

* Included in Repair Kit





MODELS & ACCESSORIES

MODEL	DESCRIPTION
COBRA	COBRA, W/AD1-27-5 (Fluorosilicone) diaphragm Neg. 373 Pa (Neg. 1.5 "H20)
COBRA-I	COBRA, W/AD1-27-5 (Fluorosilicone) diaphragm Neg. 125 Pa (Neg. 0.5 "H20)
CB-30177	Converter Ass'y, Cobra
CB-30580-002	Converter Ass'y, Cobra
CB-30580-004	Converter Ass'y, Cobra
CB-30712-001	Cobra Ass'y, Primerless Neg. 373 Pa (Neg. 1.5 "H20)
CB-30712-002	Cobra Ass'y Primerless Neg. 125 Pa (Neg. 0.5 "H20)
CB-R-772	Cobra w/ Right Hand Plug

ACCESSORIES

PART #	DESCRIPTION
SV	Start assist valve
VPV	Vacuum power valve
AF4-14883	Check Valve
AE3-31273-001	Controller, CDPOZ Electronic

REPAIR KITS

PART #	DESCRIPTION
RK-COBRA	Standard repair kit