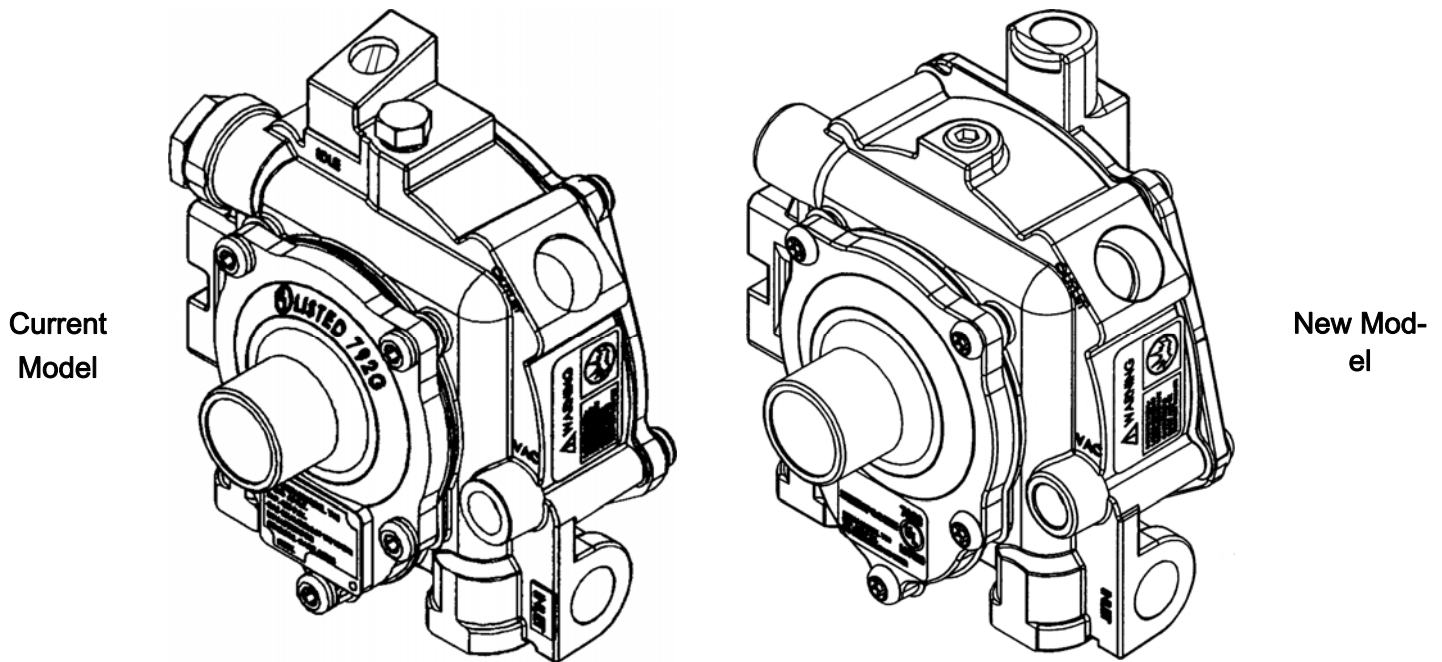


MODEL T60 REGULATOR

REGULATORS



MODEL T60 REGULATOR



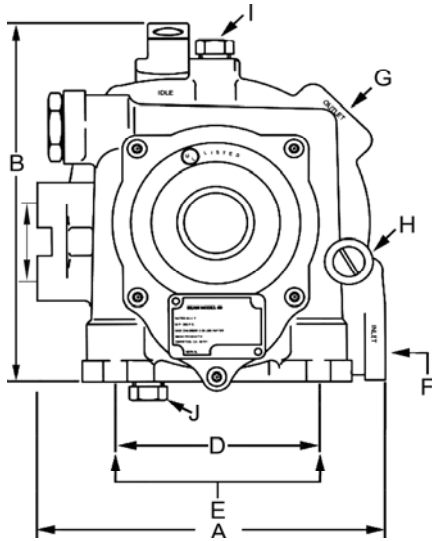
DESCRIPTION

The T60 is a two stage regulator/vaporizer for LPG applications up to 60hp (45Kw). Various models feature built-in vacuum lockoffs, idle adjustment, primers, various heating methods, and several mounting options. Newly designed models (scheduled for spring 2010 production) include an improved primary and secondary lever and seat design, and a standard freeze plug and idle screw. The idle screw has improved sensitivity and stability and is relocated to the cover. An idle screw cap and tamper resistant screws satisfy regulatory tamper resistance requirements. Optional dual mounting tabs are available and all mounting features and ports will remain the same.

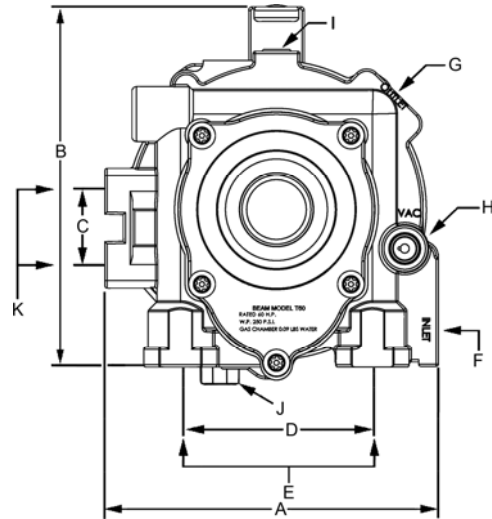
SPECIFICATIONS

Fuel Type	LPG Liquid/Vapor or Natural Gas
Inlet Pressure	
Maximum	250 psi (17.23 Bar)
Minimum Inlet Pressure	30 psi (207 kPa)
Outlet Pressure	-0.5" w.c. (-0.13 kPa)
HP/kW	60hp (45kW) with LPG liquid, 40hp (30kW) LPG Vapor 30hp (22kW) for Natural Gas
Operating Temperature Range	-40°F to +250°F (-40°C to +121°C)
Fuel Filtration	40 micron
Heating Chamber Source	Required for liquid LPG
Mounting Position	Vertical (outlet down) recommended. Horizontal position can be used when fuel contamination can be controlled with HD-5 or HD-10 specified LPG fuel.
Diaphragm	Hydrin
Applications	Stationary, mobile, industrial and automotive
Certification	UL (AU1502), Inquire for specific ECE approval

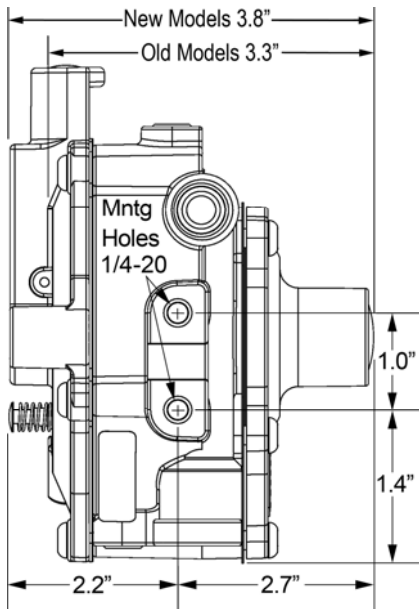
DIMENSIONS



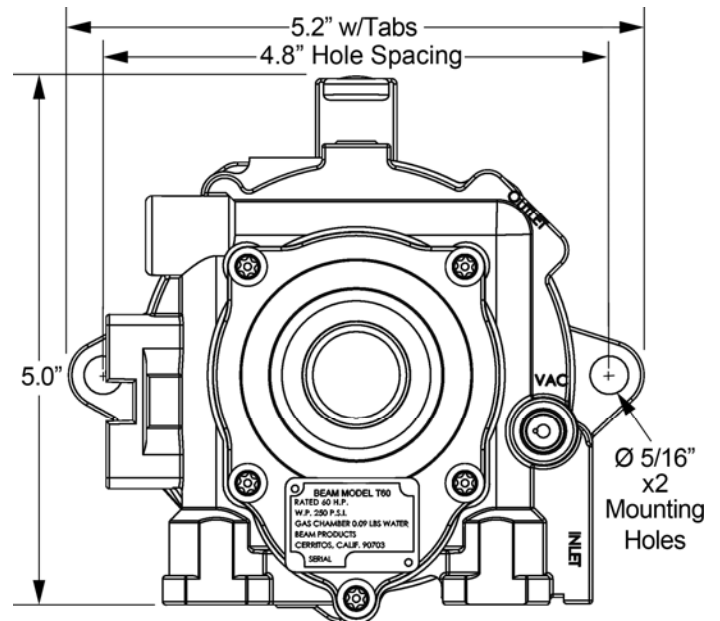
Current Model



New Model (without tabs)



Profile (New Model Shown)



Front View (New Model with tabs shown)

T60 DIMENSIONS

	A	B	C	D	E	F	G	H	I	J	K	N
	OVERALL WIDTH	OVERALL HEIGHT	OVERALL DEPTH	MOUNTING HOSE CTR. TO CTR.	COOLANT IN/OUT CTR. TO CTR.	COOLANT INLET & OUTLET (NPT)	FUEL INLET (NPT)	FUEL OUTLET (NPT)	VACCUM PORTS (NPT)	PRIMARY TEST PORTS	SECONDARY PRESS. & OIL DRAIN	APPROX WEIGHT
Current Model	110 mm (4.350")	124 mm (4.875")	82.6 mm (3.250")	25.4 mm (1.000")	66.7 mm (2.625")	1/4"	1/4"	3/8"	1/8"	1/8"	1/8"	680g (24oz.)
New Model (w/Out Tabs)	110 mm (4.350")	127 mm (5.0")	96.5 mm (3.8")	25.4 mm (1.000")	66.7 mm (2.625")	1/4"	1/4"	3/8"	1/8"	1/8"	1/4"-20 UNC	740g (26oz.)
New Model (w/Tabs)	132.8 mm (5.2")	127 mm (5.0")	82.6 mm (3.250")	25.4 mm (1.000")	66.7 mm (2.625")	1/4"	1/4"	3/8"	1/8"	1/8"	1/4"-20 UNC	822g (29oz.)

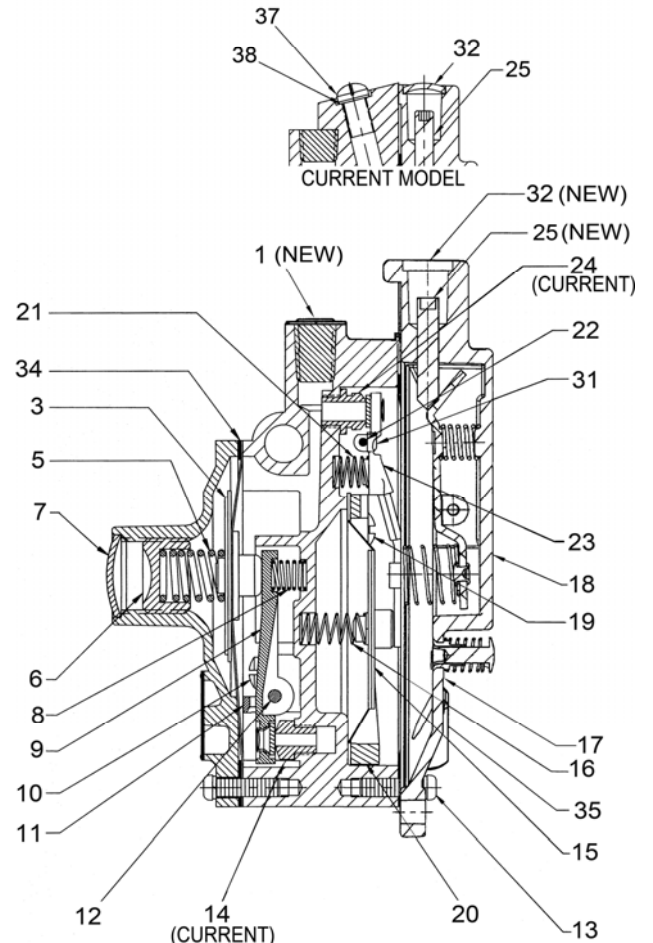
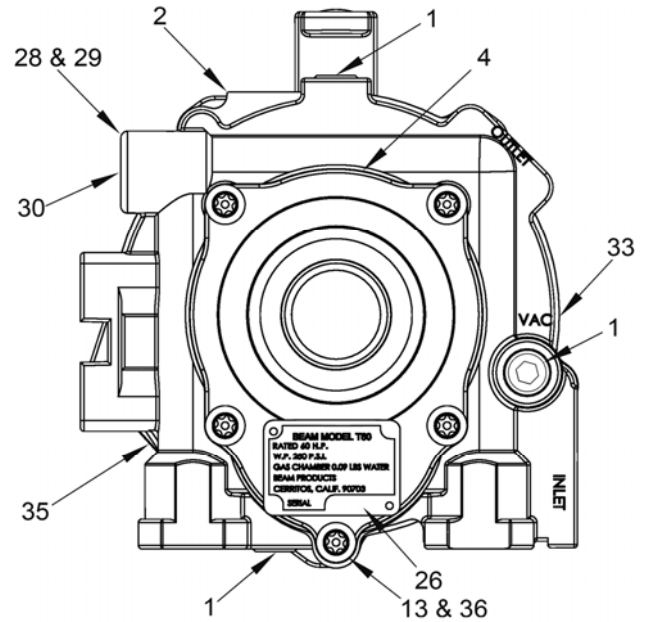
MODEL T60 REGULATOR

REGULATORS



COMPONENTS

Item #	P/N	DESCRIPTION
1	P3-16699-001	PLUG, 1/8 Socket Head Steel (NEW)
	P3-13	PLUG, 1/8-27 NPT* (1) (CURRENT)
2	NSS	CASTING, REGULATOR BODY
3	NSS	DIAPHRAGM ASSEMBLY* (1), (2)
4	NSS	COVER, PRIMARY REGULATOR
5	NSS	SPRING, PRIMARY* (1)
6	NSS	SCREW, RETAINER, ADJUSTABLE SPRING
7	P3-17956-8	PLUG, EXPANSION* (1), (2)
8	NSS	SPRING, PRIMARY LEVER* (1)
9	NSS	LEVER ASSY, PRIMARY* (1), (2)
10	NSS	SCREW, FIL HD, 10-32 UNF-2A x .31 L (CURRENT)
		SCREW, M5 x 0.8 7.9 FIL HD, TORX (NEW)
11	NSS	BRIDGE, PRIMARY
12	NSS	PIN, PRIMARY PIVOT* (1)
13	NSS	SCREW, 10-32 x.62 TORX* (1)
		SCREW, TORX TAMP RES M5 X16MM (NEW)
14	NSS	ORIFICE, PRIMARY REGULATOR (CURRENT)
15	NSS	DIAPHRAGM ASSEMBLY, VAC LOCK* (1), (2)
16	NSS	SPRING, VAC LOCK* (1)
17	NSS	DIAPHRAGM, SECONDARY* (1), (2)
18	AC1-51985-001	COVER ASSY (NEW)
	AC1-51985-001A	COVER ASSY W/PRIMER (NEW)
19	NSS	SCREW, PAN HD 10-32 x .38* (1)
		SCREW, TORX TAMP RES M5 X16MM (NEW)
20	60-16	RING, VAC. LOCK
21	NSS	SPRING, SECONDARY LEVER* (1)
22	NSS	PIN, SECONDARY PIVOT* (1)
23	NSS	LEVER ASSY, SECONDARY* (1), (2) (NEW)
	60-19B	LEVER ASSY, SECONDARY (CURRENT)
24	NSS	ORIFICE, SECONDARY REGULATOR (CURRENT)
25	S1-17367	SCREW, ADJUSTMENT* (I)
	NSS	SCREW, ADJUSTMENT (NEW)
26	NSS	LABEL
27	NSS	DELETED
28	400-25	PLUG, RELIEF* (1), (2) (CURRENT)
	P3-50929-001	PLUG, FREEZE .50 DIS. X .38 (NEW)
29	NSS	GASKET, PLUG* (1), (2) (CURRENT)
30	NSS	PLUG, WATER CORE (CURRENT)
31	NSS	SCREW, PAN HD, 10-32 UNF-2A X .25 L* (1)
		SCREW, TORX TAMP RES M5 X16MM (NEW)
32	P3-17956-1	PLUG, EXPANSION* (1), (2)
33	NSS	LABEL, WARNING* (1), (2)
34	NSS	GASKET, DIAPHRAGM* (1), (2)
35	NSS	LABEL, IDENT-SILVER
36	W1-5	WASHER, SPLIT LOCK* (1) (CURRENT)
37	NSS	SCREW, FIL HD 1/4-28 UNF-2A* (1) (CURRENT)
38	NSS	WASHER, COPPER-SPECIAL



NSS=Not Sold/Service Separately

*Repair Kit. (1)=T60-RBK; (2)=T60-RK

T60 REGULATOR APPLICATION CHART

Current Part Number	Freeze Plug*	Idle Screw*	Additional 1/2" Depth (When Replaced by New Part Number)	New Part Number*	Vacuum Lock	Primer	Mounting Tabs
T60-N-2		•		T60-A-NN-2			•
T60-S-2		•					
T60-E	•	•	•	T60-A-NN-N			
T60-F-N	•	•					
T60-S-N		•					
T60-N-N		•					
T60-D	•		•				
				T60-A-NP-2		•	•
T60-G	•	•	•	T60-A-NP-N			
T60-C	•		•				
T60-P-N		•					
T60-VF-2	•	•		T60-A-VN-2	•		•
T60	•	•	•	T60-A-VN-N			
T60-H		•	•				
T60-VF-N	•	•					
T60-V-N		•					
				T60-A-VP-2	•	•	•
T60-B	•	•	•	T60-A-VP-N	•	•	
T60-VP-N		•					

*Note that all New T60 models have a freeze plug and an idle screw

N=None

V=Vacuum

2=Number of tabs