

Shut-down instructions:

To turn the heater OFF,

- For short periods of time, turn the main burner off by rotating the gas valve knob clockwise to the "PILOT" position.
- For extended periods of non use, turn the appliance completely off by rotating the gas valve knob clockwise to the "PILOT" position, depress the knob slightly, then rotate the knob fully clockwise to the "OFF" position.

Pilot burner adjustment:

1. Remove the pilot adjustment cap. The pilot adjustment cap is a slotted screw located in front of the "Pilot" designation stamped on top of valve body just below the gas valve knob.
2. Adjust the pilot key to provide properly sized flame. Rotate the key "clockwise" to decrease or "counter-clockwise" to increase flame.
3. Replace the pilot adjustment cap.

MAINTENANCE INSTRUCTIONS

This heater (including hose and regulator assembly if applicable) must be inspected before each use. If the hose for the Model HS125LP shows evidence of excessive abrasion or wear, or if the hose is cut, it must be replaced prior to the heater being put into operation. The replacement hose assembly shall be that specified by the manufacturer. See the parts list.

The appliance area must be kept free and clear of combustible materials, gasoline and other flammable vapors and liquids at all times.

The flow of combustion and ventilation air must not be obstructed.

Cleaning the heater:

Periodically, the heater must be cleaned of all dirt and dust particles.

DANGER

DO NOT ATTEMPT TO CLEAN THE HEATER WHILE IT IS OPERATING OR WHILE IT IS STILL HOT.

Turn the heater off and wait until it has completely cooled (at least 20minutes) before cleaning.

Clean the outside of the heater using a damp cloth. DO NOT clean the heater by spraying water on it. Wipe the outside of the heater off with a dry cloth after cleaning.

Clean the inside of the heater using compressed air. Blow air back and forth along all inside surfaces until all dust has been dislodged.

Clean the orifice of each burner with a #69 drill bit (for LP-Gas). Clean the orifice manually (by hand) – DO NOT use power drill.

Clean the thermocouple lead.

DO NOT operate this heater if any part has been under water. Call a qualified service person to inspect the appliance and to replace any part of the control system or gas control valve which has been under water.

This heater must be inspected at least annually by a qualified service person.



WARNING

Do not exceed 1/2 PSI gas pressure to appliance gas control valve.

REPLACEMENT PARTS LIST FOR MODELS HS125NG HS125LP

SEE BACK PAGE FOR PARTS ORDERING INFORMATION

REF. #	ITEM #	DESCRIPTION
1	23510	Manual Control Valve
2	23511	Knob Control Valve
3	04466	Filter/Diffuser
4	23512	Orifice Pilot (HS125LP)
4a	05374	Orifice Pilot (HS125NG)
5	21920	Thermocouple, 13"
6	23514	Pilot Burner
7	11666	Regulator (HS125NG)
8	23515	Ignitor
9	20735	Piezo
10	23519	Valve Supply Tube
11	23520	Valve Supply Tube Clamp
12	23521	Burner Manifold
13	23522	Burner (L/P)
13a	29025	Burner (NG)
14	26270	Hose w/ Regulator 20'(LP)
15	42116	Tip-Over Switch

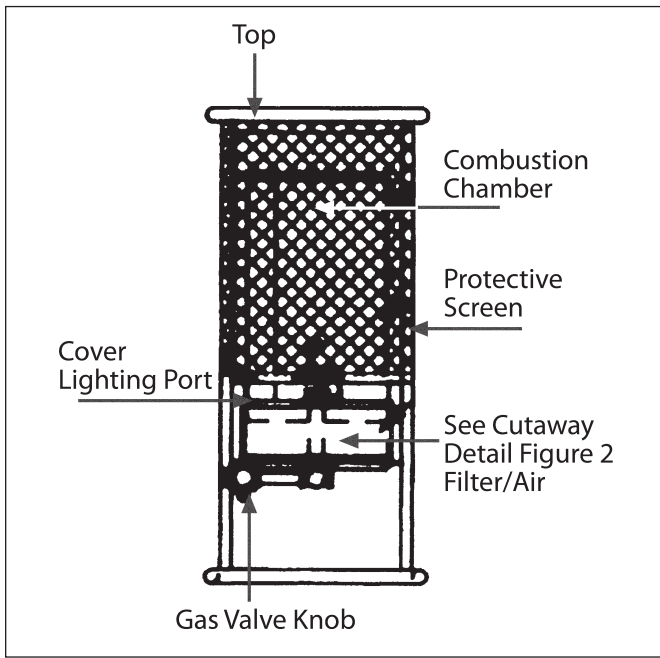


Figure 1

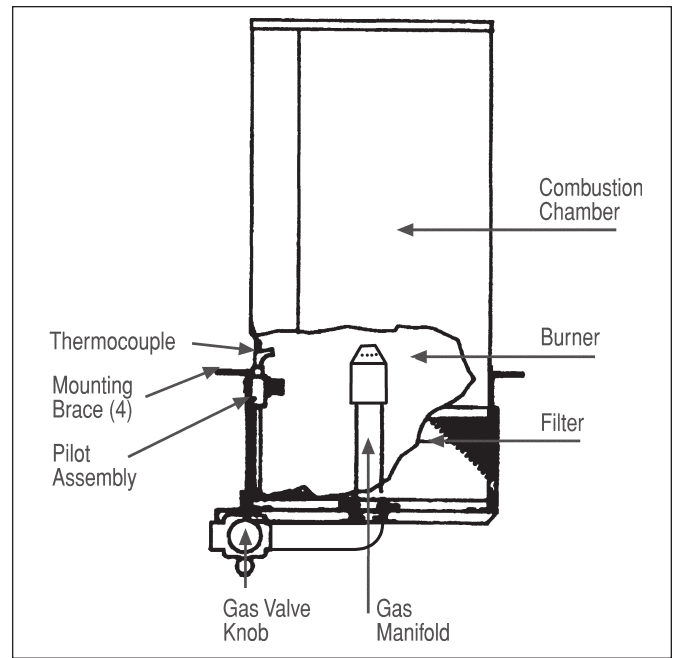


Figure 2

**GAS-FIRED INFRA-RED PORTABLE CONSTRUCTION HEATER
MODELS HS125NG / HS125LP**

