

Type R622H First-Stage Regulator

Introduction

The Type R622H is an Underwriters Laboratories listed regulator designed for Two-Stage LP-Gas systems. The unit is designed to reduce the tank pressure to 10 psig (0,69 bar). Screened drip-lip vents are oriented over the outlet as standard.

Features

- **20-Year Recommended Replacement Life** - The Type R622H is designed using rugged time proven design concepts with enhancements to the corrosion resistance and durability of materials both internally and externally. With proper installation and periodic inspection and maintenance the Type R622H design has a 20-Year Recommended Replacement Life. In some environmental conditions earlier replacement may be required.
- **Improved Regulations** - Fisher's large molded fabric-reinforced diaphragm and spring assisted vent stabilizer deliver accurate, stable regulation.
- **Superior Overpressure Protection** - The combination of a high capacity relief valve and large vent provide overpressure protection which exceeds UL standards. When used in conjunction with a Type R622 or R652 the two-stage system will limit the downstream pressure from the second-stage to 2 psig (0,14 bar) even in a double failure situation.



Figure 1. Type R622H First-Stage Regulator

- **Easy System Checks** – 1/8 inch NPT inlet and outlet gauge taps orificed to a number 54 drill size are easily accessible for gas system checks.
- **Corrosion-Resistant** – Added corrosion resistance with an internal and external coating process for all castings prior to painting, stainless steel relief valve spring and retainer and a non-corrosive relief valve seat.
- **Positive Drainage** – When installed properly with the spring case pointed down the Fisher Positive Drainage design allows any moisture formed in the spring case to drain out eliminating the problems with corrosion and freezing of the water in the spring case.

Table 1. Ordering Information

TYPE NUMBER	CAPACITY BTU/HR PROPANE ⁽¹⁾	CONNECTIONS INLET x OUTLET	OUTLET ADJUSTMENT SETTING, PSIG (bar)	OUTLET PRESSURE RANGE, PSIG (bar)
R622H-BGK	2,000,000	1/2 inch x 1/2 inch FNPT	5 (0,34)	4 - 6 (0,28 - 0,41)
R622H-BGJ	2,100,000		10 (0,69)	8 - 12 (0,55 - 0,83)
R622H-HGK	2,000,000	FPOL x 1/2 inch FNPT	5 (0,34)	4 - 6 (0,28 - 0,41)
R622H-HGJ	2,100,000		10 (0,69)	8 - 12 (0,55 - 0,83)
R622H-JGK	2,250,000	FPOL x 3/4 inch FNPT	5 (0,34)	4 - 6 (0,28 - 0,41)
R622H-JGJ			10 (0,69)	8 - 12 (0,55 - 0,83)
R622H-DGJ	2,400,000	3/4 inch x 3/4 inch FNPT		

1. Capacities are based on 30 psig (2,07 bar) inlet pressure and 20% droop.



Bulletin LP-7:R622H

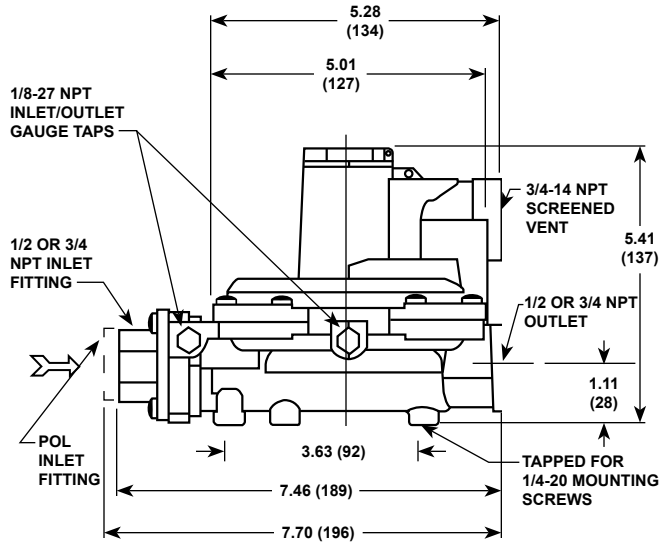


Figure 2. Type R622H Dimensions

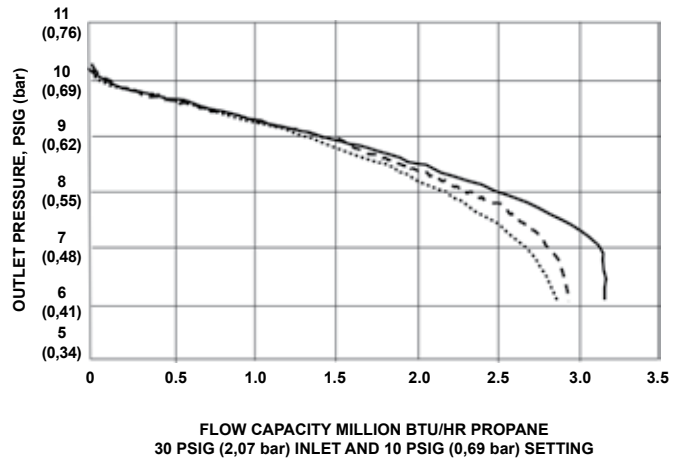


Figure 3. Flow Capacity Curves for Type R622H

Table 2. Selected Capacities for Type R622H First-Stage Regulators

OUTLET PRESSURE SETTING AND SPRING RANGE, PSIG (bar)	INLET PRESSURE, PSIG (bar)	CAPACITIES IN THOUSANDS BTU/HR PROPANE ⁽¹⁾		
		1/2 x 1/2 & FPOL x 1/2	FPOL x 3/4	3/4 x 3/4
5 (0,34) 4 - 6 (0,28 - 0,41)	20 (1,38)	1,630	1,780	1,970
	25 (1,72)	1,630	2,090	2,260
	30 (2,07)	2,090	2,400	2,610
	50 (3,45)	2,720	3,470	3,730
	100 (6,90)	3,470	5,760	5,910
10 (0,69) 8 - 12 (0,55 - 0,83)	20 (1,38)	1,590	1,680	1,840
	25 (1,72)	1,910	2,050	2,230
	30 (2,07)	2,210	2,370	2,570
	50 (3,45)	3,120	3,570	3,890
	100 (6,90)	4,590	6,180	6,620

1. Capacities are based on 20% droop.

LP-Gas Equipment

Emerson Process Management Regulator Technologies, Inc.

USA - Headquarters
McKinney, Texas 75069-1872 USA
Telephone: 1 (800) 558-5853
Telephone: 1 (972) 548-3574

For further information visit www.fisherregulators.com/lp

The Emerson logo is a trademark and service mark of Emerson Electric Co. All other marks are the property of their prospective owners. Fisher is a mark owned by Fisher Controls, Inc., a business of Emerson Process Management.

The contents of this publication are presented for informational purposes only, and while every effort has been made to ensure their accuracy, they are not to be construed as warranties or guarantees, express or implied, regarding the products or services described herein or their use or applicability. We reserve the right to modify or improve the designs or specifications of such products at any time without notice.

Emerson Process Management does not assume responsibility for the selection, use or maintenance of any product. Responsibility for proper selection, use and maintenance of any Emerson Process Management product remains solely with the purchaser.