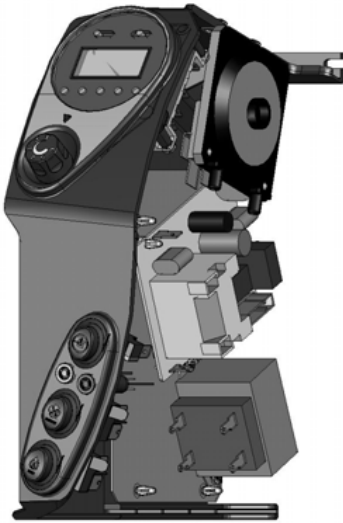
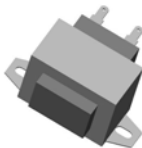


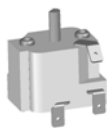






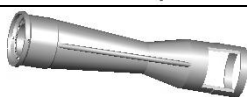

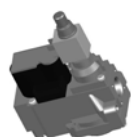
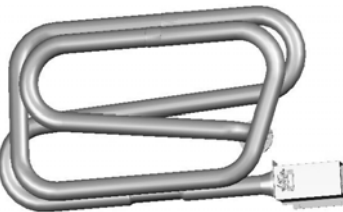



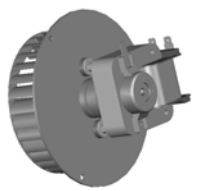
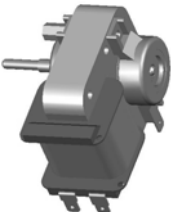





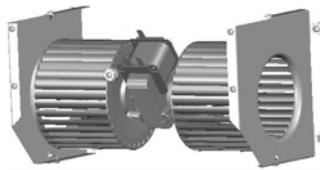
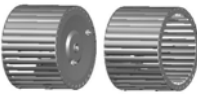
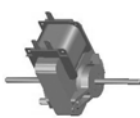
Replacement Parts

 <p>Electric Box</p>		TR – 120/24V Transformer	Part Number: P332523
		Ignition Control Box	Part Number: P332503
		NP – Pressure Switch	Part Number: P332516
		Z9 – Room Thermostat	Part Number: P332564
		Z1 – Reset and Summer/Winter Switch	Part Number: P332630
		Z8-Z3 – Timer and Manual-Program Mode Switch	Part Number: P332629
		Z2- Hi-Lo Flame and Fan Speed Switch	Part Number: P332631
		SF/SB – Green and Red Lamps	Part Number: P332538 P332633
		Z8 - Timer	Part Number: P332539
	 <p>Gas Assembly</p>		Gas Burner and Gas Nozzle
		Natural Gas Nozzle LP Gas Nozzle	Part Number: P332551 Part Number: P332552
		EV1/2 – Min/Max Gas Valve	Part Number: P332541

			RP8 : Flame Sensor	Part Number: P332511
			RP7: Spark Igniter (2 pieces)	Part Number: P332512

		S – Combustion Blower Motor Combustion Motor/Wheel Asy	Part Number: P332556 Part Number: P332558
--	---	---	--

		M1 – Overheat Thermostat	Part Number: P332565
		M2 - Fan Thermostat	Part Number: P332496

			Fan Blades (2 pieces)	Part Number: P332572 (Left) P332638 (Right)
			M - Fan Motor	Part Number: P332513