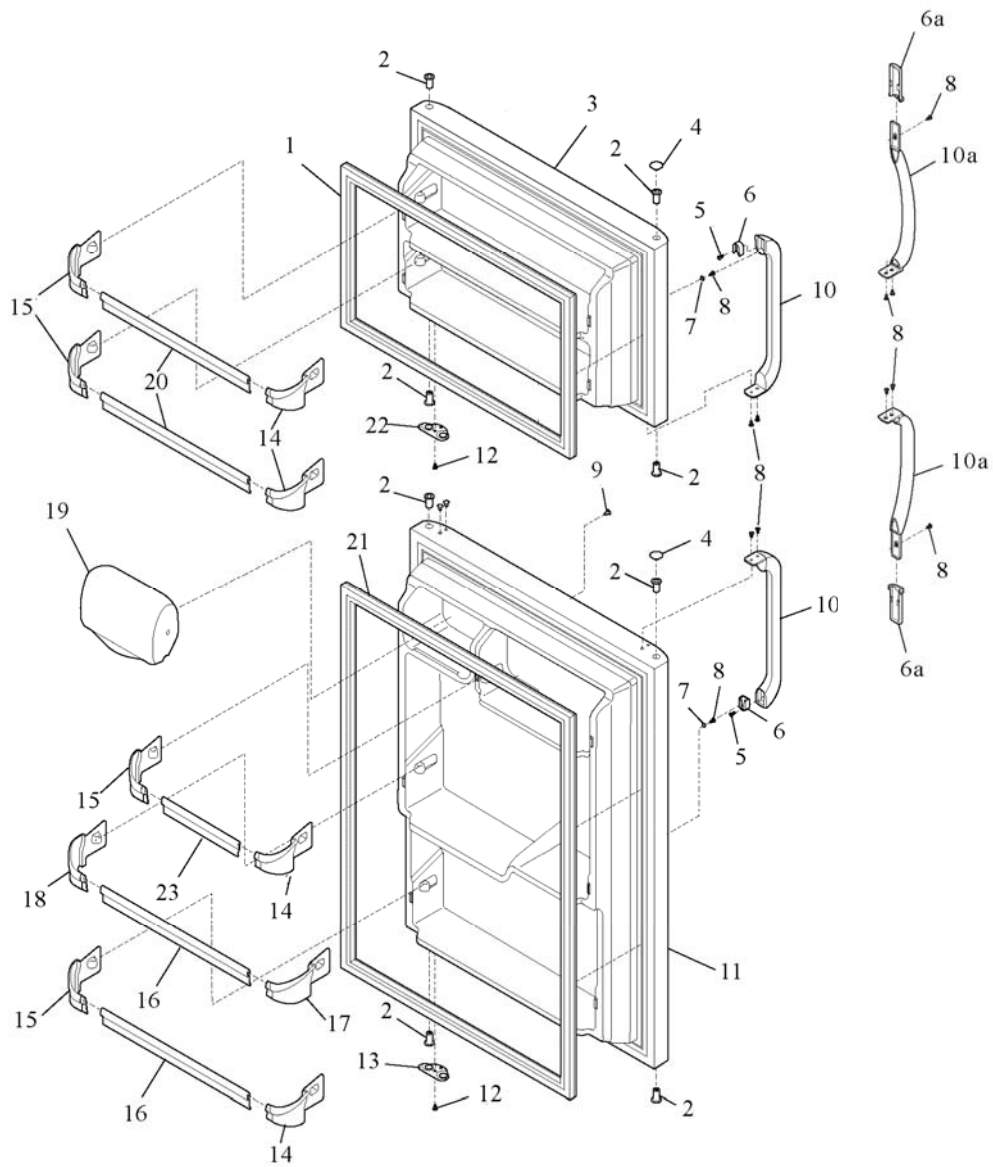
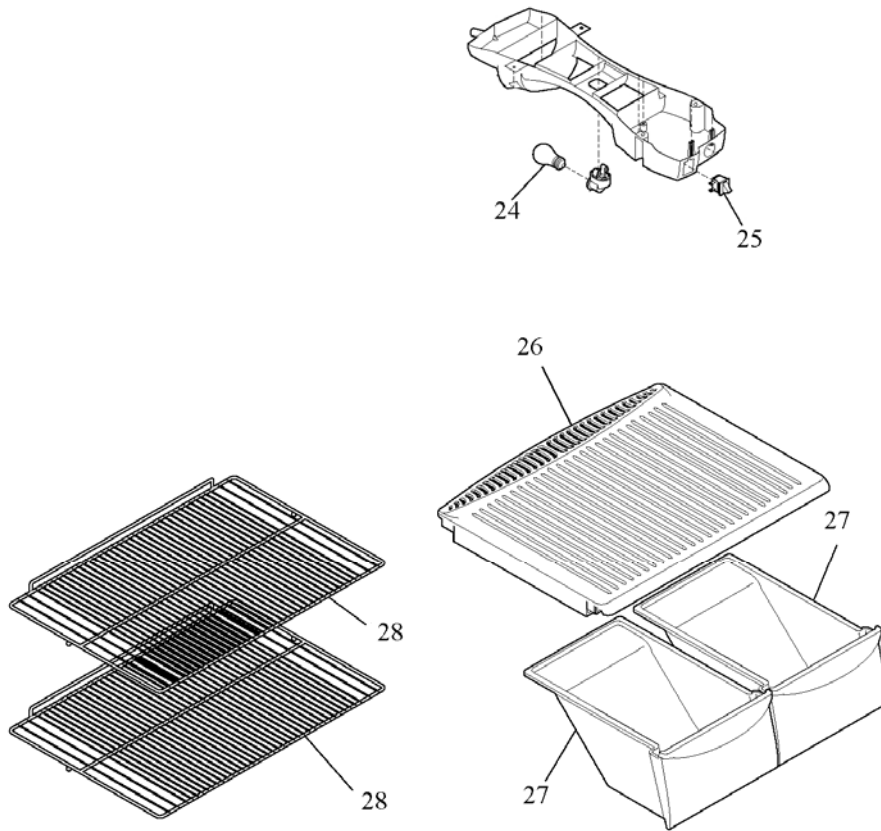
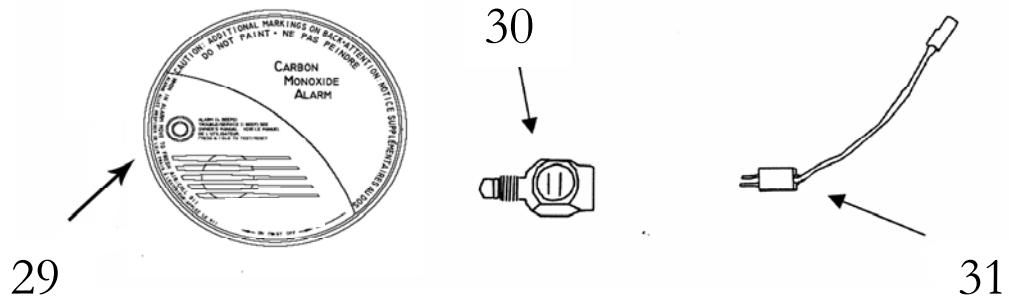


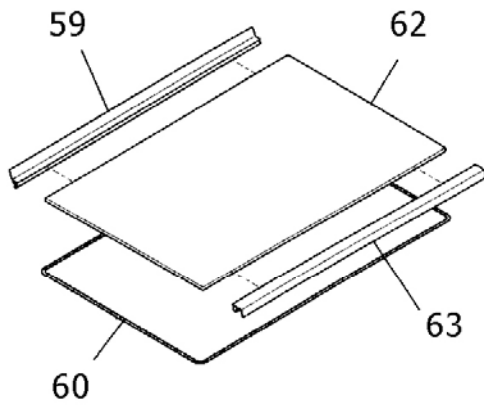
Parts Diagram and List



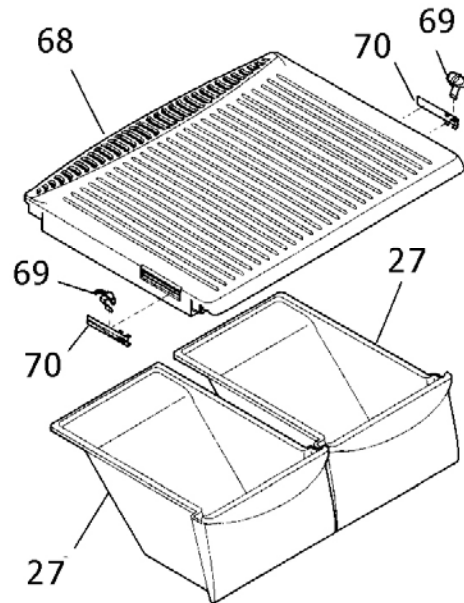
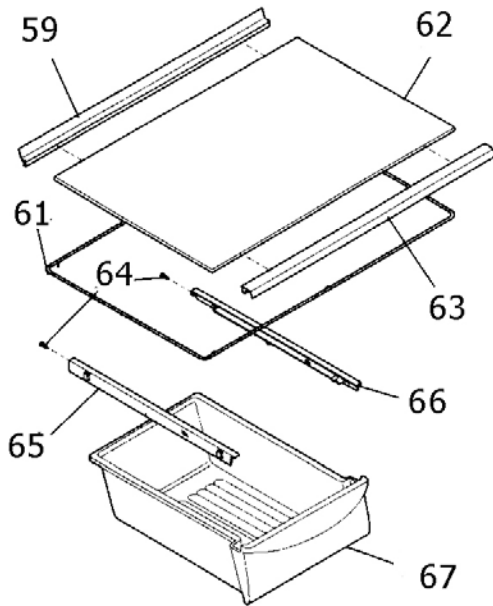


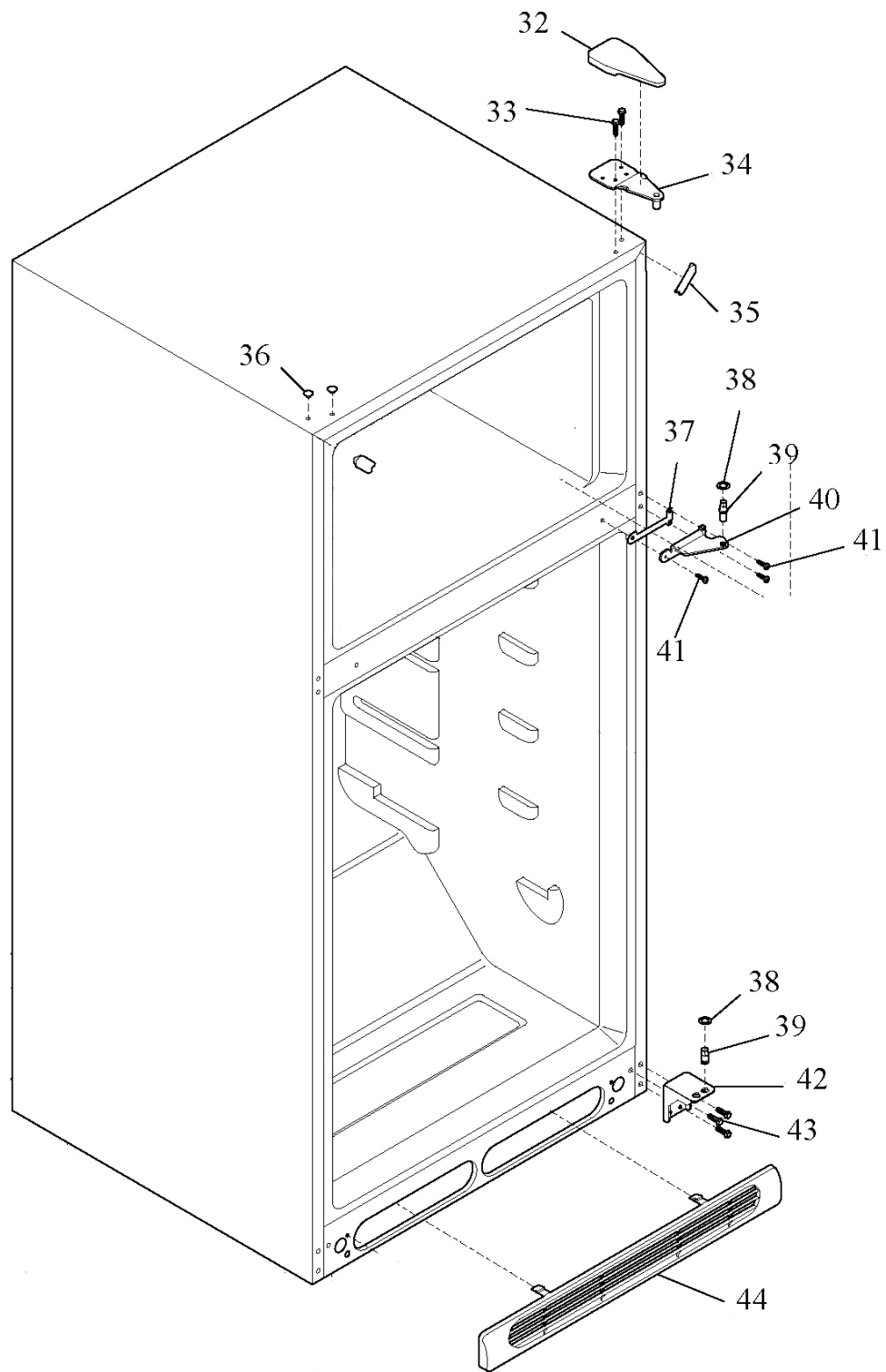
CO-Monitor and Components





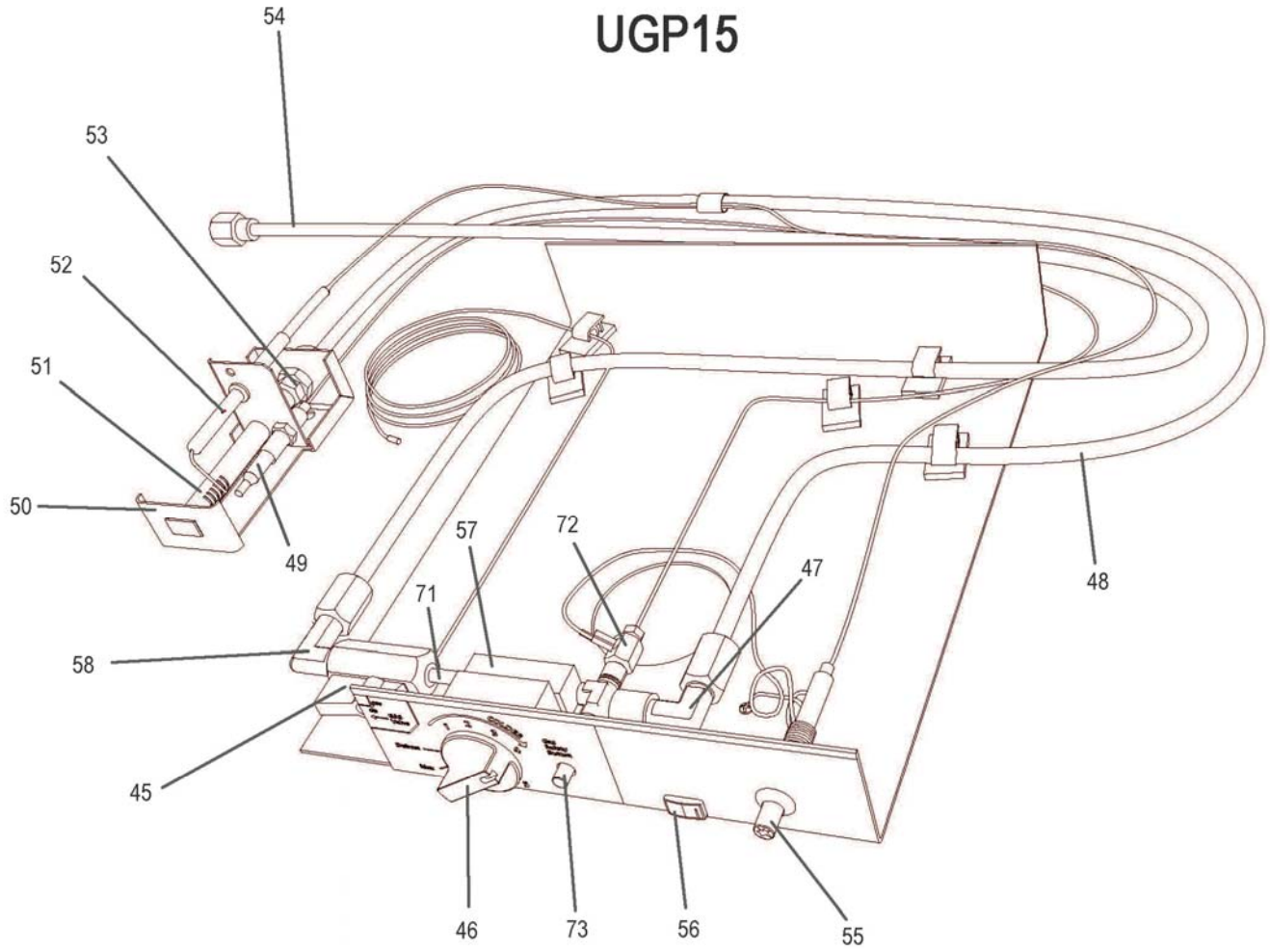
Stainless and Glass Fridge Interior





Burner Train Assembly

UGP15



UNIQUE UGP-15 Fridge (15 cu/ft)		
Item#	PART#	DESCRIPTION
1	UGP15-01	FREEZER DOOR GASKET
	UGP15-01-1	FREEZER DOOR GASKET – BLACK FOR STAINLESS STEEL FRIDGE ONLY
2	UGP15-02	PLUG
3	UGP15-03	FREEZER DOOR- WHITE
	UGP15-03-1	FREEZER DOOR- STAINLESS STEEL (MUST REQUEST LEFT OR RIGHT HANDED OPENING)
4	UGP15-04	CAP
5	UGP15-05	HANDLE - SCREW
6	UGP15-06	HANDLE - BLOCK
6a	UGP15-06-1	CAP – HANDLE BLACK FOR STAINLESS STEEL FRIDGE ONLY
7	UGP15-07	HANDLE - BUTTON
8	UGP15-08	HANDLE - SCREW
9	UGP15-09	PLUG
10	UGP15-10	DOOR HANDLE - FRIDGE AND FREEZER - WHITE
10a	UGP15-10-1	DOOR HANDLE - FRIDGE AND FREEZER – BLACK FOR STAINLESS STEEL FRIDGE ONLY
11	UGP15-11	FRIDGE DOOR - WHITE
	UGP15-11-1	FRIDGE DOOR -STAINLESS STEEL FOR STAINLESS STEEL FRIDGE ONLY
12	UGP15-12	SCREW
13	UGP15-13	DOOR STOP – BOTTOM FRIDGE DOOR – WHITE
	UGP15-13-1	DOOR STOP – BOTTOM FRIDGE DOOR – BLACK FOR STAINLESS STEEL FRIDGE ONLY
14	UGP15-14	SUPPORT DOOR RACK – RH
15	UGP15-15	SUPPORT DOOR RACK – LH
16	UGP15-16	DOOR GUARD – 18.65"

UGP - 15

Item#	PART#	DESCRIPTION
17	UGP15-17	SUPPORT DOOR - RH
18	UGP15-18	SUPPORT DOOR - LH
19	UGP15-19	DAIRY DOOR
	UGP15-19-1	DAIRY DOOR – CLEAR FOR STAINLESS STEEL FRIDGE ONLY
20	UGP15-20	DOOR GUARD – 16.21"
21	UGP15-21	FRIDGE – DOOR GASKET
	UGP15-21-1	FRIDGE – DOOR GASKET - BLACK FOR STAINLESS STEEL FRIDGE ONLY
22	UGP15-22	DOOR STOP – BOTTOM FREEZER DOOR
	UGP15-22-1	DOOR STOP – BOTTOM FREEZER DOOR - BLACK FOR STAINLESS STEEL FRIDGE ONLY
23	UGP15-23	DOOR GUARD - 9.04"
24	UGP15-24	INTERIOR LIGHT
25	UGP15-25	SWITCH
26	UGP15-26	COVER - CRISPER PAN
27	UGP15-27	CRISPER DRAWERS
28	UGP15-28	WIRE SHELVES
29	UGP- 9RV-SSO	CO DETECTOR 9RV SSO
30	QMP- INTERRUPTER BLOCK	INTERRUPTER BLOCK – ONLY USED ON CO-MONITORED FRIDGES
31	QMP-15-FET	MOSFET ASSY
32	UGP15-32	TOP HINGE COVER
33	UGP15-33	TOP HINGE SCREWS
34	UGP15-34	TOP HINGE
35	UGP15-35	CORNER TRIM

UGP - 15

Item#	PART#	DESCRIPTION
36	UGP15-36	PLUG – WHITE
37	UGP15-37	HINGE SPACER
38	UGP15-38	NYLON WASHER
39	UGP15-39	PIN – CENTER HINGE
40	UGP15-40	CENTER HINGE
41	UGP15-41	CENTER HINGE SCREWS
42	UGP15-42	BOTTOM HINGE
43	UGP15-43	BOTTOM HINGE SCREWS
44	UGP15-44	FRONT GRILL
45	UGP1518-1	ON/OFF VALVE
46	UGP1518-2	THERMOSTAT KNOB
47	UGP1518-3	OUTLET FITTING
48	UGP1518-4	OUTLET GAS TUBE
49	UGP15-49	THERMOCOUPLE
50	UGP15-50	BURNER BRACKET
51	UGP15-51	BURNER TUBE
52	UGP15-52	ELECTRODE WITH WIRE
53	UGP15-53	ORIFICE
54	UGP1518-5	INLET GAS TUBE
55	UGP15-55	PEIZO IGNITOR
56	UGP15-56	FLAME INDICATOR
57	UGP1518-6	THERMOSTAT CONTROL

UGP - 15

Item#	PART#	DESCRIPTION
58	UGP1518-7	INLET GAS FITTING
59	UGP15-59	TRIM – REAR 16"
60	UGP15-60	FRAME - SHELF
61	UGP15-61	FRAME - SHELF WITH HANGERTABS
62	UGP15-62	GLASS SHELF – NO PATTERN
62	UGP15-62-1	GLASS SHELF – PATTERN ON GLASS STAINLESS STEEL UNIT ONLY
63	UGP15-64	TRIM - FRONT
64	UGP15-65	SCREW – FOR HANGERS STAINLESS STEEL UNIT ONLY
65	UGP15-65-1	TRACK – HANGER LH STAINLESS STEEL UNIT ONLY
66	UGP15-66	TRACK – HANGER RH STAINLESS STEEL UNIT ONLY
67	UGP15-67	MEAT BIN STAINLESS STEEL UNIT ONLY
68	UGP15-68	COVER - CRISPER DRAWERS
69	UGP15-69	CONTROL – HUMIDITY (NOT FUNCTIONAL ON PROPANE FRIDGES)
70	UGP15-70	DAMPER – HUMIDITY CONTROL (NOT FUNCTIONAL ON PROPANE FRIDGES)
71	UGP1518-8	PIPE – ON/OFF VALVE TO THERMOSTAT CONTROL
72	UGPSPBLOCK	SINGLE PRONG INTERRUPTER BLOCK
73	UGP1518-9	SAFETY VALVE